

COPYRIGHT:
 All rights reserved. This work is copyright and cannot be copied in any form or by any means (graphic, electronic or reproduced mechanical, including photocopying) without the written permission of nanda & associates. Any license, express or implied to use the document for any purpose whatsoever is restricted to the terms of the agreement or implied agreement with nanda & associates.

LEGEND:-

- 230MM THK BRICK WORK
- R.C.C COLUMN

NORTH POINT:

CLIENT:
 CANARA BANK CENTENARY
 RURAL DEVELOPMENT TRUST(R)

PROJECT:
 PROPOSED CONSTRUCTION CANARA
 BANK'S RURAL SELF EMPLOYMENT
 TRAINING INSTITUTE AT ERODE ,
 TAMILNADU.

DRAWING TITLE:
 SITE PLAN PRESENTATION

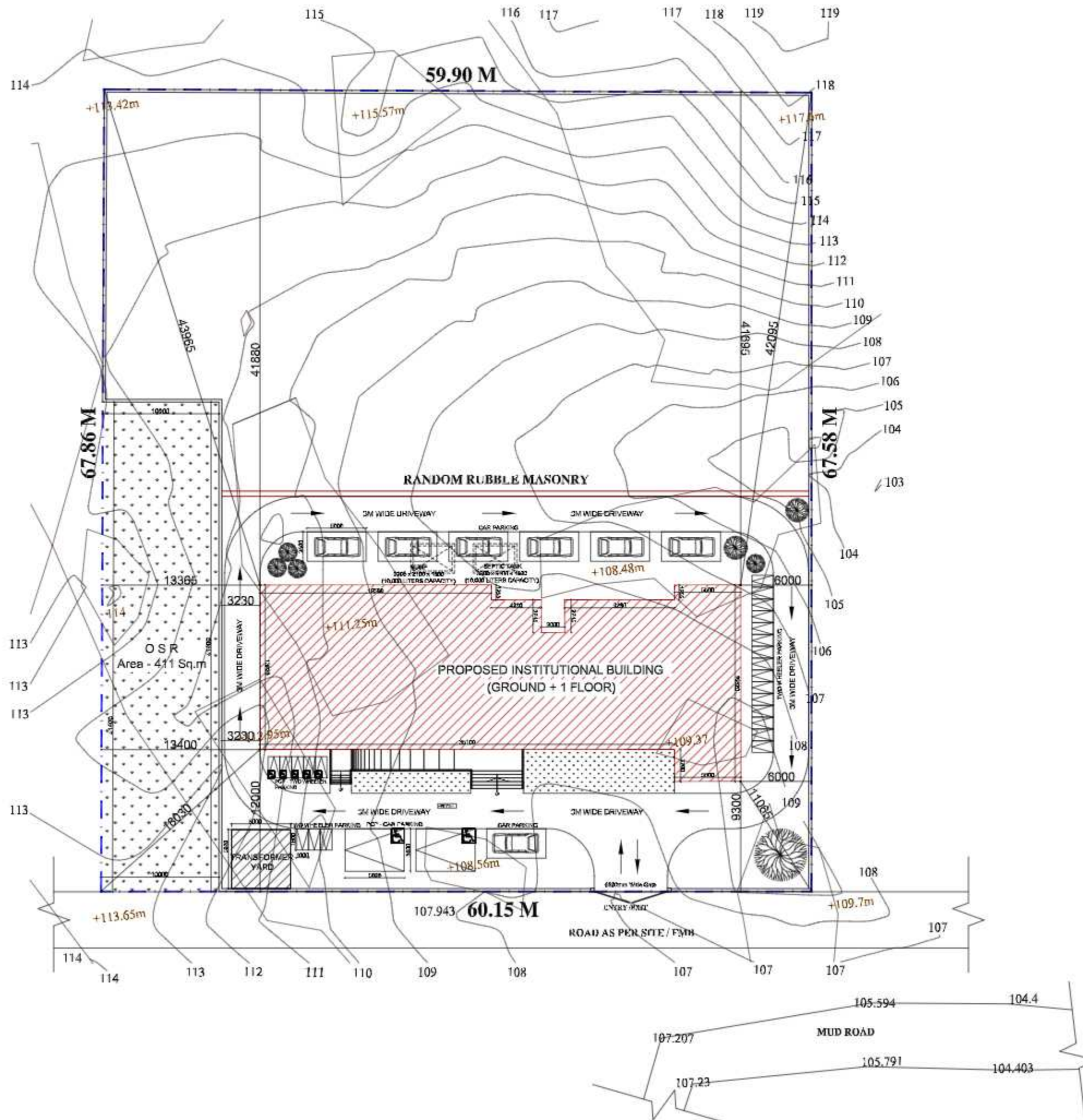
SCHEMATIC DRAWING WORKING DRAWING
 TENDER DRAWING AS BUILT DRAWING

SCALE : N.T.S	DATE : 12/12/2022	REV NO:
DRAWN BY : Divya	CHECKED BY : Mani	00
JOB NO : 2187/20	DWG NO : ARC - TR - 01	

ARCHITECT:

NANDA & ASSOCIATES
 ARCHITECTS

NO.36, SARASWATHI ILLAM, JANAKIRAM COLONY MAIN RD,
 JANAKIRAM COLONY, ARUMBAKKAM, CHENNAI - 600 106.
 TELEPHONE:044-23637420, E-mail: nandaarchitects@gmail.com



COPYRIGHT:
 All rights reserved. This work is copyright and cannot be copied in any form or by any means (graphic, electronic or reproduced mechanical, including photocopying) without the written permission of Nanda & Associates. Any license, express or implied, to use the document for any purpose whatsoever is restricted in the scope of the agreement or implied agreement with Nanda & Associates.

LEGEND:-

- 230MM THK BRICK WORK
- R.C.C COLUMN

NORTH POINT:

AREA STATEMENT

PLOT AREA AS PER SITE - 4065 SQ.M

PLOT AREA AS PER DOC. - 4048 SQ.M

S.NO.	DESCRIPTION	AREA IN SQ.M	AREA IN SQ.FT
1	GROUND FLOOR	557.00	5996.00
2	FIRST FLOOR	360.00	3875.00
2	TERRACE FLOOR	44.00	474.00
TOTAL AREA		961.00	10345.00

CLIENT:
 CANARA BANK CENTENARY
 RURAL DEVELOPMENT TRUST(R)

PROJECT:
 PROPOSED CONSTRUCTION CANARA
 BANK'S RURAL SELF EMPLOYMENT
 TRAINING INSTITUTE AT ERODE,
 TAMILNADU.

DRAWING TITLE:
 SITE PLAN

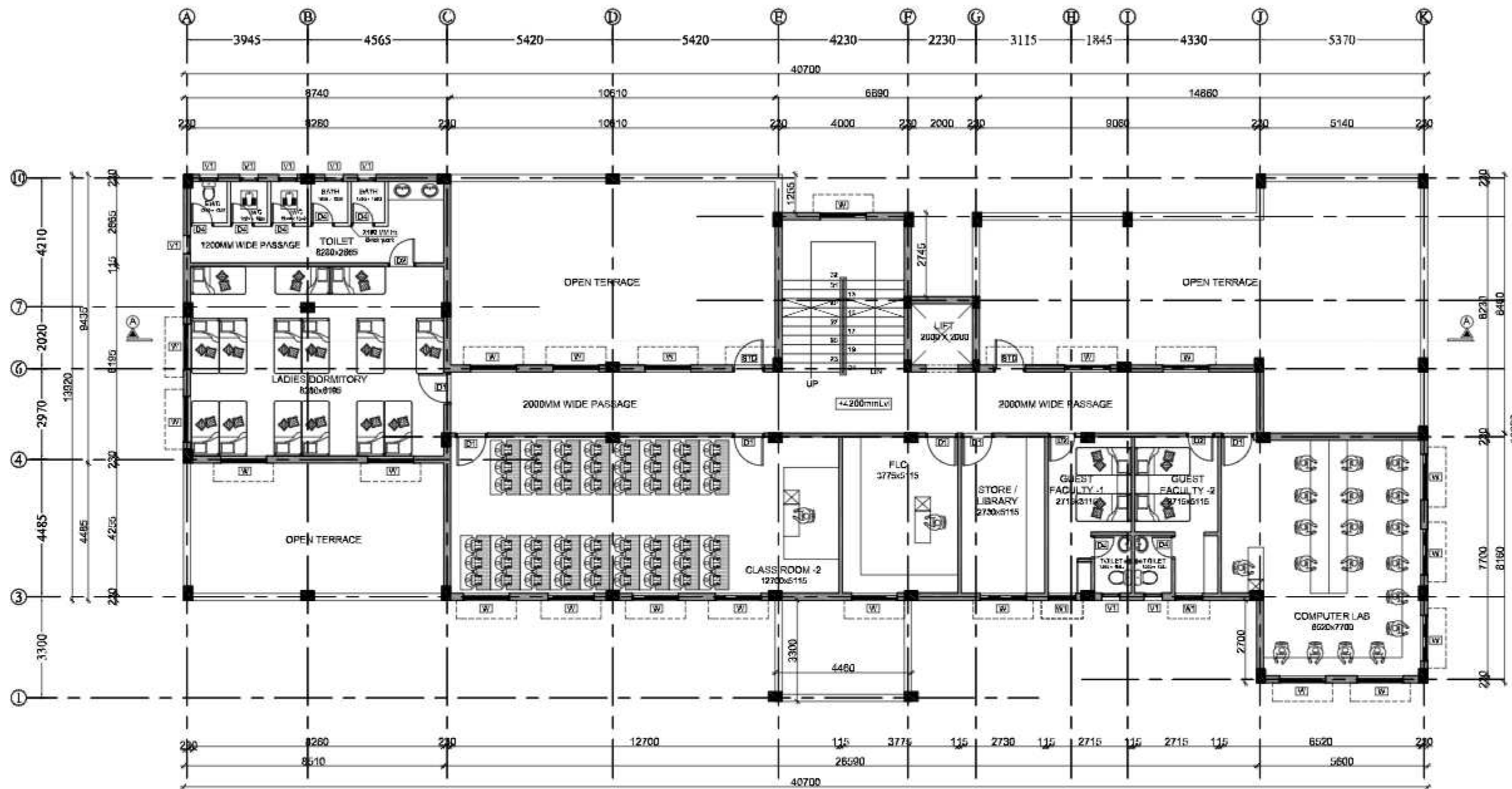
- SCHEMATIC DRAWING
- WORKING DRAWING
- TENDER DRAWING
- AS BUILT DRAWING

SCALE : N.T.S	DATE : 12/12/2022	REV NO:
DRAWN BY : Divya	CHECKED BY : Mani	00
JOB NO : 2167/20	DWG NO : ARC - TR - 02	

ARCHITECT:

NANDA & ASSOCIATES
 ARCHITECTS

NO.36, SARASWATHI ILLAM, JANAKIRAM COLONY MAIN RD,
 JANAKIRAM COLONY, ARUMBAKKAM, CHENNAI - 600 106.
 TELEPHONE: 044-23637420, E-mail: nandaarchitects@gmail.com



FIRST FLOOR PLAN

- NOTES:-
1. ROOF HEIGHT 3300 ROOF TOP TO TOP
 2. LINTEL HEIGHT 2100.
 3. SILL HEIGHT 750.
 4. WINDOW HEIGHT 1350.

COPYRIGHT:
All rights reserved. This work is copyright and cannot be copied in any form or by any means (graphic, electronic or reproduced mechanical, including photocopying) without the written permission of Nanda & Associates. Any license, express or implied, to use the document for any purpose whatsoever is restricted in the terms of the agreement or implied agreement with Nanda & Associates.

LEGEND:-

- 230MM THK BRICK WORK
- R.C.C COLUMN

NORTH POINT:
N

SCHEDULE OF JOINERY

S. NO.	SYMBOL	DESCRIPTION	SIZE
1	MD	MAIN DOOR (GLASS)	1500X2100
2	DD	FLUSH DOOR	1500X2100
3	D1	FLUSH DOOR	1050X2100
4	D2	FLUSH DOOR	900X2100
5	D3	FLUSH DOOR	750X2100
6	D4	PVC DOOR	750X2100
7	SD	SLIDING DOOR	1000X2100
8	W	WINDOW	1500 x 1350
9	W1	WINDOW	900X1350
10	KW	KITCHEN WINDOW	1500x1050
11	V	VENTILATOR	900X800
12	V1	VENTILATOR	800X800
13	GG	GRILL GATE	900X2100
14	RS	ROLLING SHUTTER	1500X2100
15	STD	STEEL DOOR	1050X2100

CLIENT:
CANARA BANK CENTENARY
RURAL DEVELOPMENT TRUST(R)

PROJECT:
PROPOSED CONSTRUCTION CANARA
BANK'S RURAL SELF EMPLOYMENT
TRAINING INSTITUTE AT ERODE,
TAMILNADU.

DRAWING TITLE:
FIRST FLOOR PLAN

SCHEMATIC DRAWING WORKING DRAWING
 TENDER DRAWING AS BUILT DRAWING

SCALE : N.T.S	DATE : 12/12/2022	REV NO. : 00
DRAWN BY : Divya	CHECKED BY : Mani	
JOB NO : 2167/20	DWG NO : ARC - TR - 04	

ARCHITECT:

NANDA & ASSOCIATES
 ARCHITECTS
 NO.36, SARASWATHI ILLAM, JANAKIRAM COLONY MAIN RD,
 JANAKIRAM COLONY, ARUMBAKKAM, CHENNAI - 600 106.
 TELEPHONE: 044-23637420, E-mail: nandaarchitects@gmail.com

COPYRIGHT:
All rights reserved. This work is copyright and cannot be copied in any form or by any means (graphic, electronic or reproduced mechanical, including photocopying) without the written permission of Nanda & Associates. Any license, express or implied, to use the document for any purpose whatsoever is restricted in the terms of the agreement or implied agreement with Nanda & Associates.

LEGEND:-

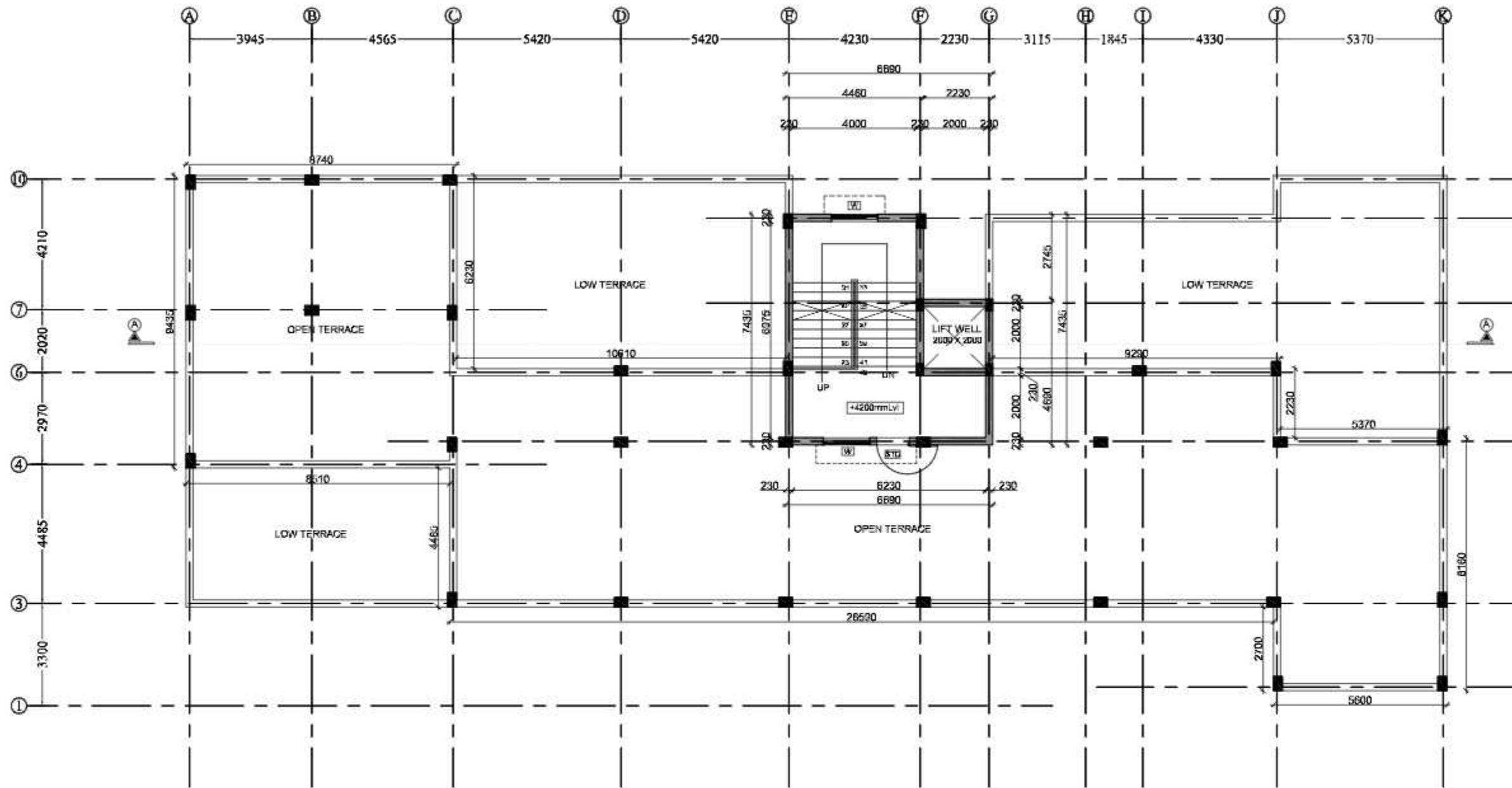
230MM THK BRICK WORK

R.C.C COLUMN

NORTH POINT:

SCHEDULE OF JOINERY

S.NO.	SYMBOL	DESCRIPTION	SIZE
1	MD	MAIN DOOR (GLASS)	1500X2100
2	DD	FLUSH DOOR	1500X2100
3	D1	FLUSH DOOR	1050X2100
4	D2	FLUSH DOOR	900X2100
5	D3	FLUSH DOOR	750X2100
6	D4	PVC DOOR	750X2100
7	SD	SLIDING DOOR	1000X2100
8	W	WINDOW	1500 x1350
9	W1	WINDOW	900X1350
10	KW	KITCHEN WINDOW	1500x1050
11	V	VENTILATOR	900X800
12	V1	VENTILATOR	800X800
13	GG	GRILL GATE	900X2100
14	RS	ROLLING SHUTTER	1500X2100
15	STD	STEEL DOOR	1050X2100



TERRACE FLOOR PLAN

CLIENT:
CANARA BANK CENTENARY
RURAL DEVELOPMENT TRUST(R)

PROJECT:
PROPOSED CONSTRUCTION CANARA
BANK'S RURAL SELF EMPLOYMENT
TRAINING INSTITUTE AT ERODE,
TAMILNADU.

DRAWING TITLE:
TERRACE FLOOR PLAN

SCHEMATIC DRAWING WORKING DRAWING
 TENDER DRAWING AS BUILT DRAWING



SCALE : N.T.S. DATE : 12/12/2022 REV NO:
DRAWN BY : Divya CHECKED BY : Mani 00
JOB NO : 2167/20 DWG NO : ARC - TR - 05

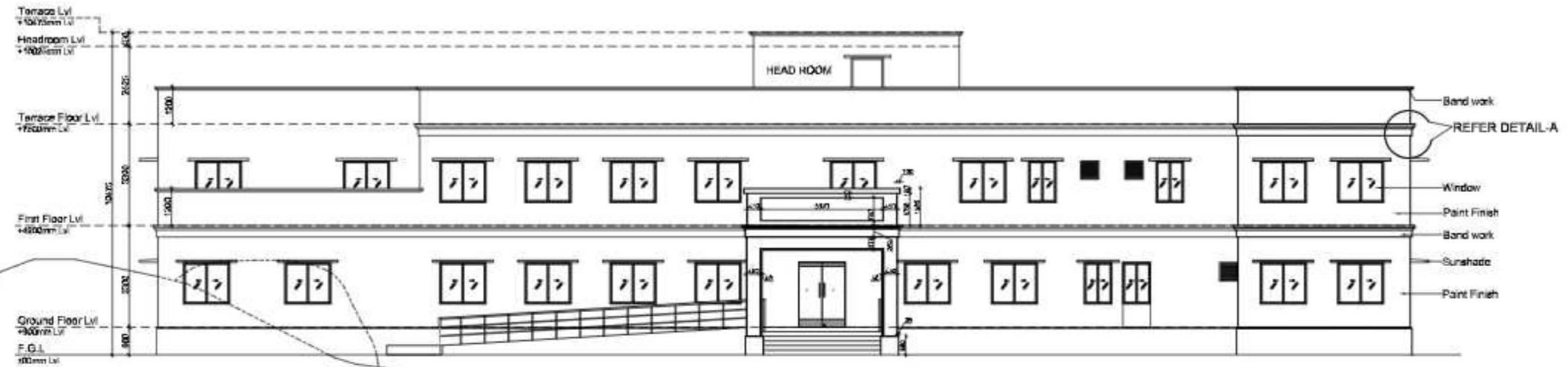
ARCHITECT:
N&A NANDA & ASSOCIATES ARCHITECTS
NO.36, SARASWATHI ILLAM, JANAKIRAM COLONY MAIN RD,
JANAKIRAM COLONY, ARUMBAKKAM, CHENNAI - 600 106.
TELEPHONE:044-23637420, E-mail:nandaarchitects@gmail.com

NOTES:-
1. ROOF HEIGHT 3300 ROOF TOP TO TOP
2. LINTEL HEIGHT 2100
3. SILL HEIGHT 750
4. WINDOW HEIGHT 1350

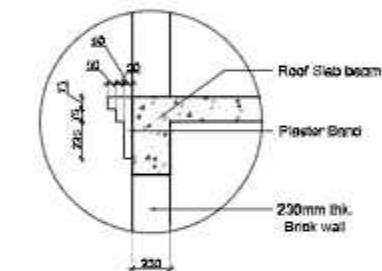
COPYRIGHT:
 All rights reserved. This work is copyright and cannot be copied in any form or by any means (graphic, electronic or reproduced materials, including photocopying) without the written permission of Nanda & Associates. Any breach, express or implied, to use the document for any purpose whatsoever is restricted in the terms of the agreement or implied agreement with Nanda & Associates.

LEGEND:-

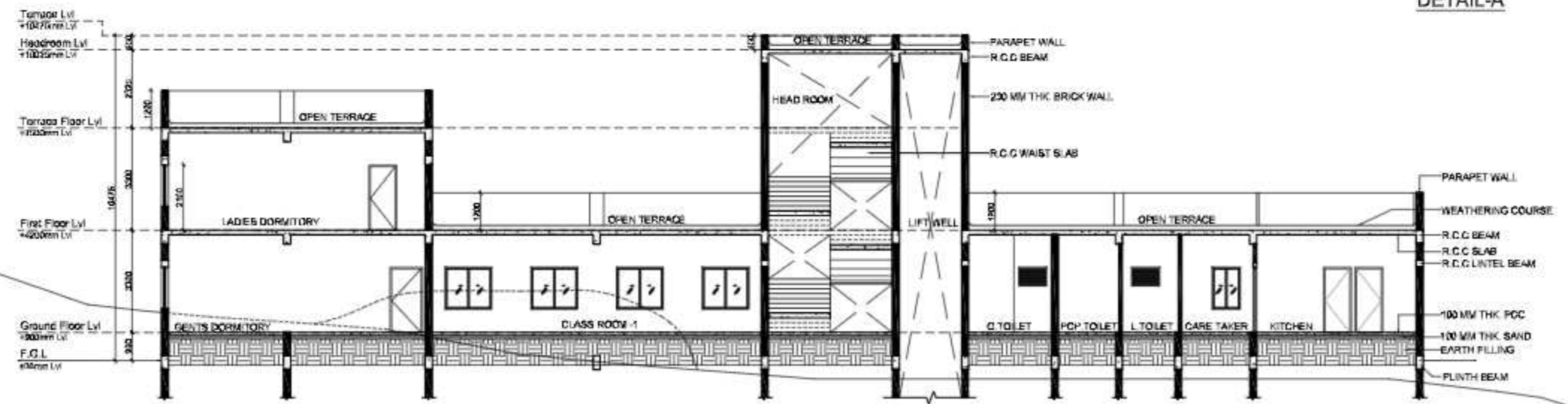
-  230MM THK BRICK WORK
-  R.C.C COLUMN



WEST SIDE ELEVATION



DETAIL-A



SECTION -AA

CLIENT:
 CANARA BANK CENTENARY
 RURAL DEVELOPMENT TRUST(R)

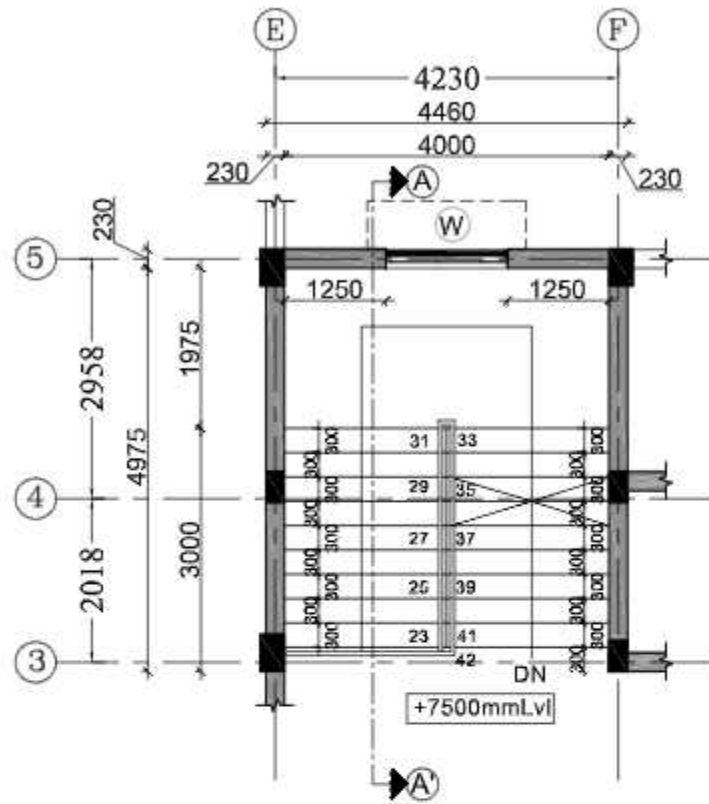
PROJECT :
 PROPOSED CONSTRUCTION CANARA
 BANK'S RURAL SELF EMPLOYMENT
 TRAINING INSTITUTE AT ERODE ,
 TAMILNADU.

DRAWING TITLE :
 SECTION & ELEVATION

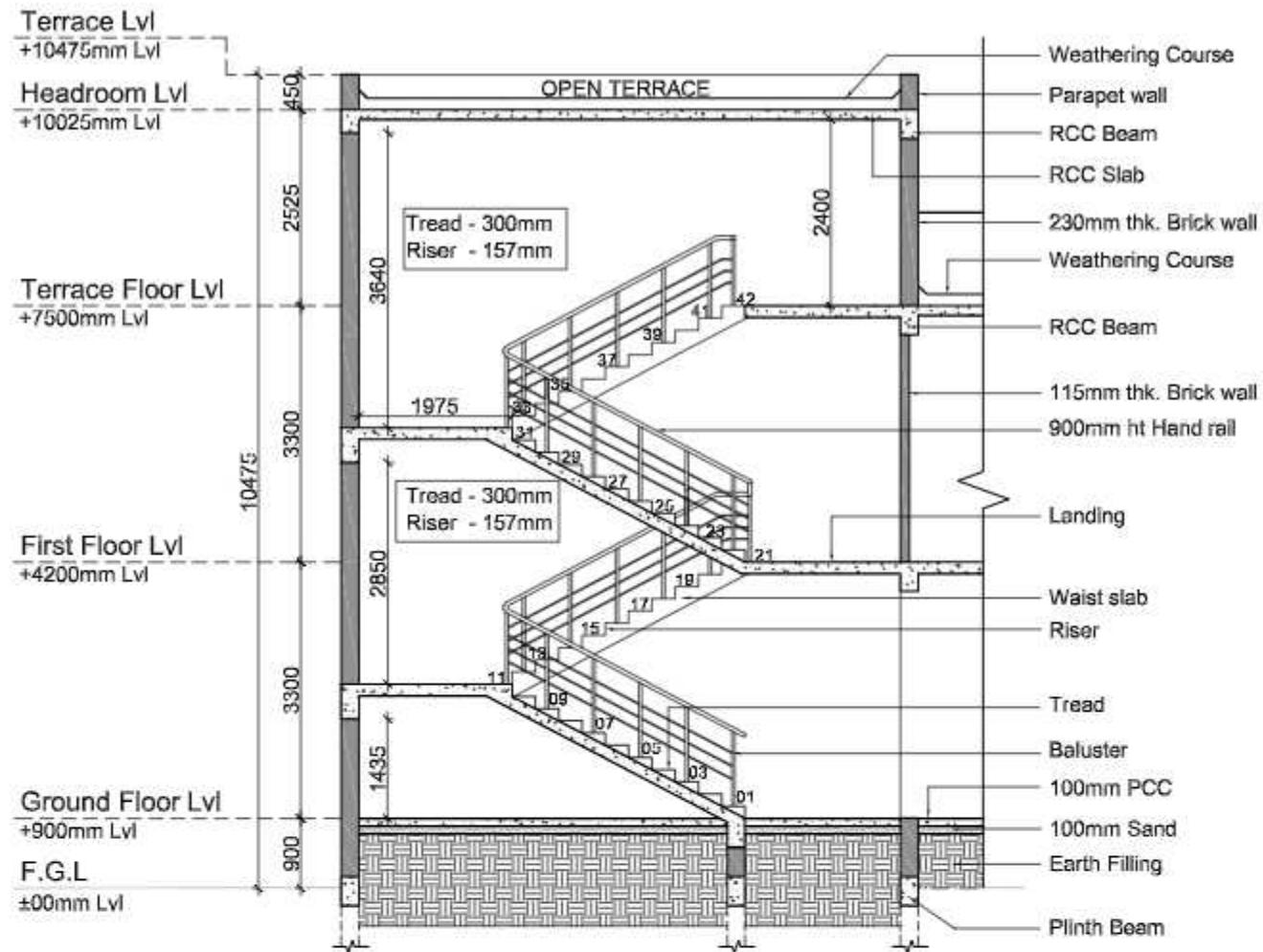
- SCHEMATIC DRAWING
- WORKING DRAWING
- TENDER DRAWING
- AS BUILT DRAWING

SCALE : N.T.S	DATE : 12/12/2022	REV NO:
DRAWN BY : Divya	CHECKED BY : Mani	00
JOB NO : 2167/20	DWG NO : ARC - TR - 08	

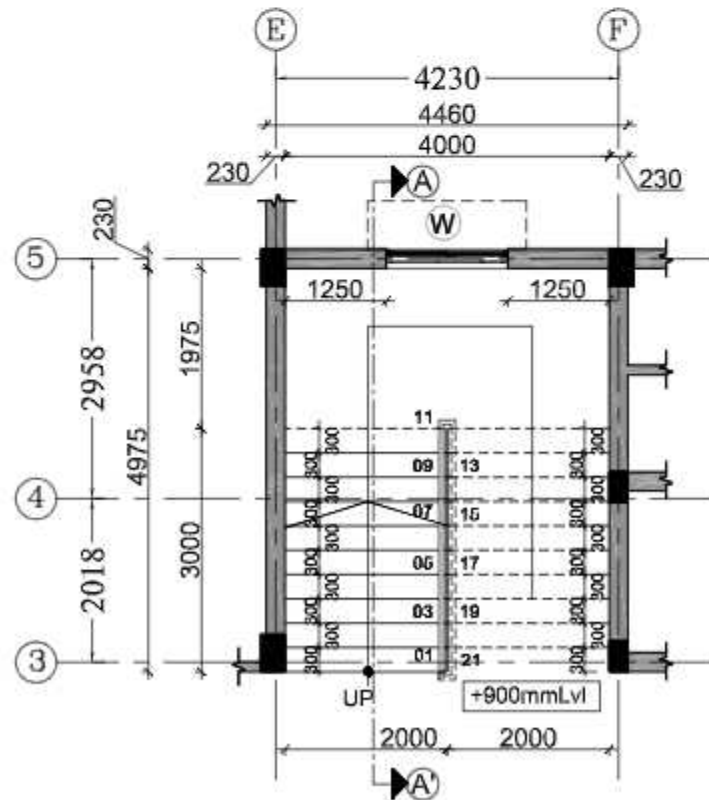
ARCHITECT :
 **NANDA & ASSOCIATES**
 ARCHITECTS
 NO.36, SARASWATHI ILLAM, JANAKIRAM COLONY MAIN RD,
 JANAKIRAM COLONY, ARUMBAKKAM, CHENNAI - 600 106.
 TELEPHONE: 044-23637420, E-mail: nandaarchitects@gmail.com



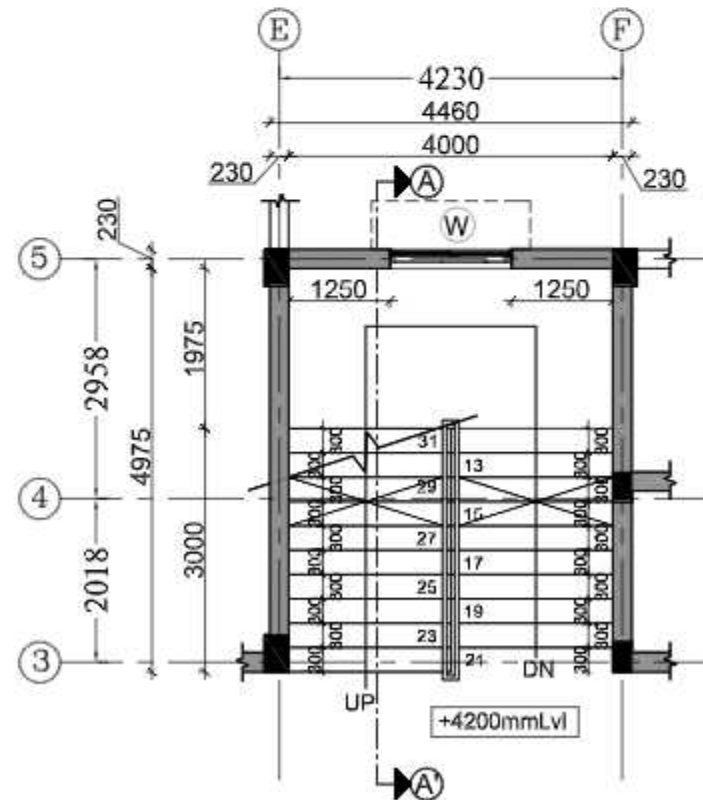
TERRACE FLOOR PLAN



SECTION-AA'



GROUND FLOOR PLAN



FIRST FLOOR PLAN

COPYRIGHT:
All rights reserved. This work is copyright and cannot be copied in any form or by any means (graphic, electronic or reproduced material, including photocopying) without the written permission of Nanda & Associates. Any breach, express or implied, to use the document for any purpose whatsoever is restricted in the name of the agreement or implied agreement with Nanda & Associates.

LEGEND:-

- 230MM THK BRICK WORK
- R.C.C COLUMN

NORTH POINT:



CLIENT:
CANARA BANK CENTENARY
RURAL DEVELOPMENT TRUST(R)

PROJECT:
PROPOSED CONSTRUCTION CANARA
BANK'S RURAL SELF EMPLOYMENT
TRAINING INSTITUTE AT ERODE,
TAMILNADU.

DRAWING TITLE:
STAIRCASE DETAIL

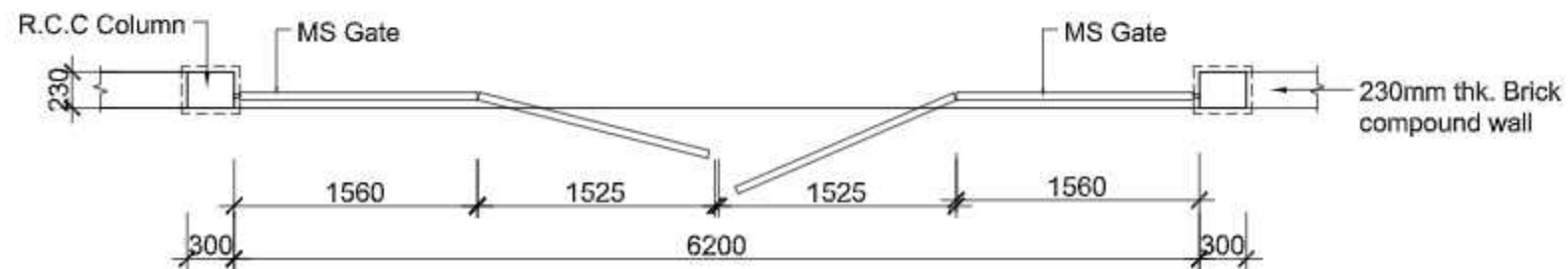
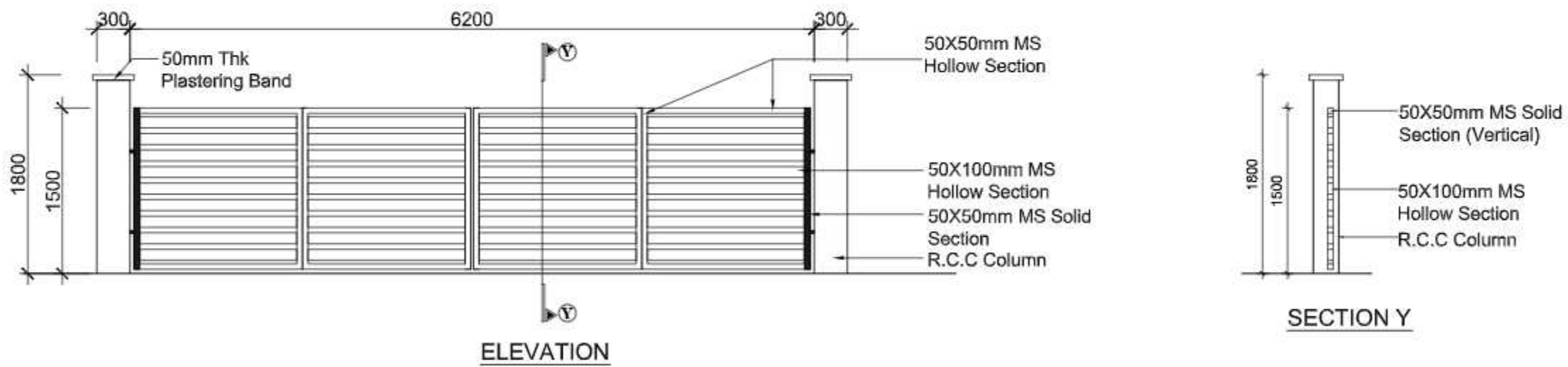
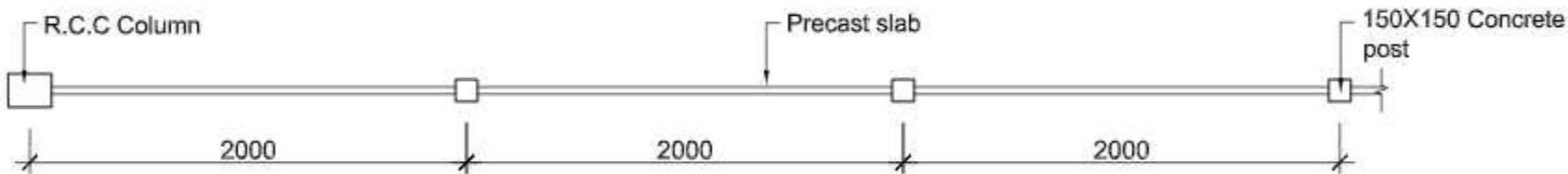
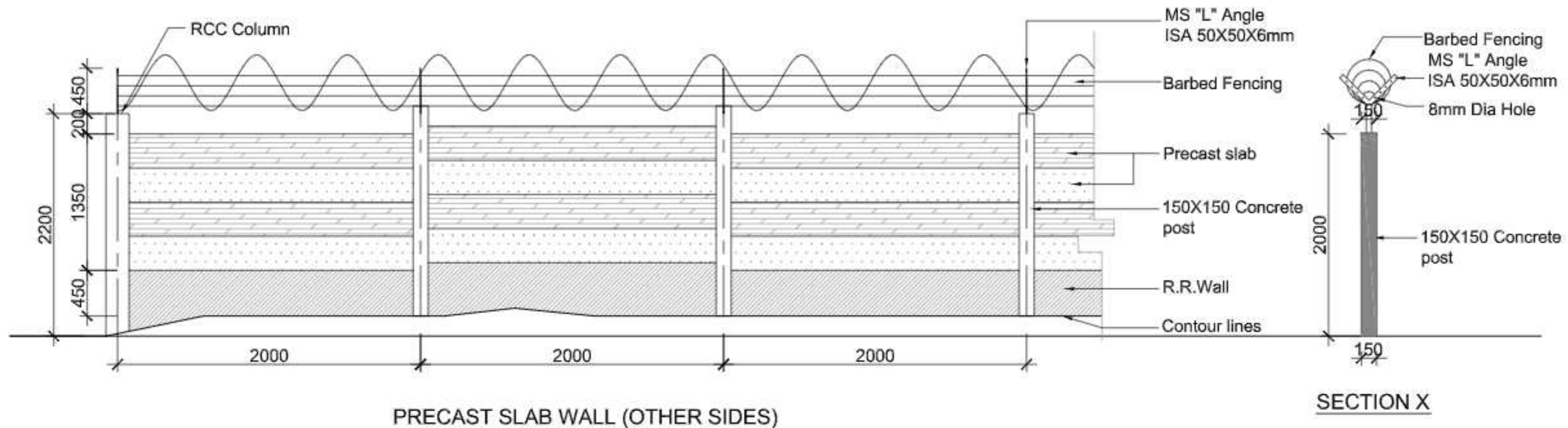
- SCHEMATIC DRAWING
- WORKING DRAWING
- TENDER DRAWING
- AS BUILT DRAWING

SCALE : N.T.S	DATE : 12/12/2022	REV NO:
DRAWN BY : Divya	CHECKED BY : Mani	00
JOB NO : 2167/20	DWG NO : ARC - TR - 07	

ARCHITECT:

NANDA & ASSOCIATES
ARCHITECTS

NO.36, SARASWATHI ILLAM, JANAKIRAM COLONY MAIN RD,
JANAKIRAM COLONY, ARUMBAKKAM, CHENNAI - 600 106.
TELEPHONE: 044-23637420, E-mail: nandaarchitects@gmail.com



FRONT GATE WITH COPMPOUND BRICK MASONRY WALL DETAIL

COPYRIGHT:
All rights reserved. This work is copyright and cannot be copied in any form or by any means (graphic, electronic or reproduced material, including photocopying) without the written permission of Nanda & Associates. Any license, express or implied, to use the document for any purpose whatsoever is restricted in the scope of the agreement or implied agreement with Nanda & Associates.

LEGEND:-

- 230MM THK BRICK WORK
- R.C.C COLUMN

NORTH POINT:

CLIENT:
CANARA BANK CENTENARY
RURAL DEVELOPMENT TRUST(R)

PROJECT:
PROPOSED CONSTRUCTION CANARA
BANK'S RURAL SELF EMPLOYMENT
TRAINING INSTITUTE AT ERODE,
TAMILNADU.

DRAWING TITLE:
COMPOUND GATE

SCHEMATIC DRAWING WORKING DRAWING
 TENDER DRAWING AS BUILT DRAWING

SCALE : N.T.S	DATE : 12/12/2022	REV NO:
DRAWN BY : Divya	CHECKED BY : Mani	00
JOB NO : 2167/20	DWG NO : ARC - TR - 08	

ARCHITECT:

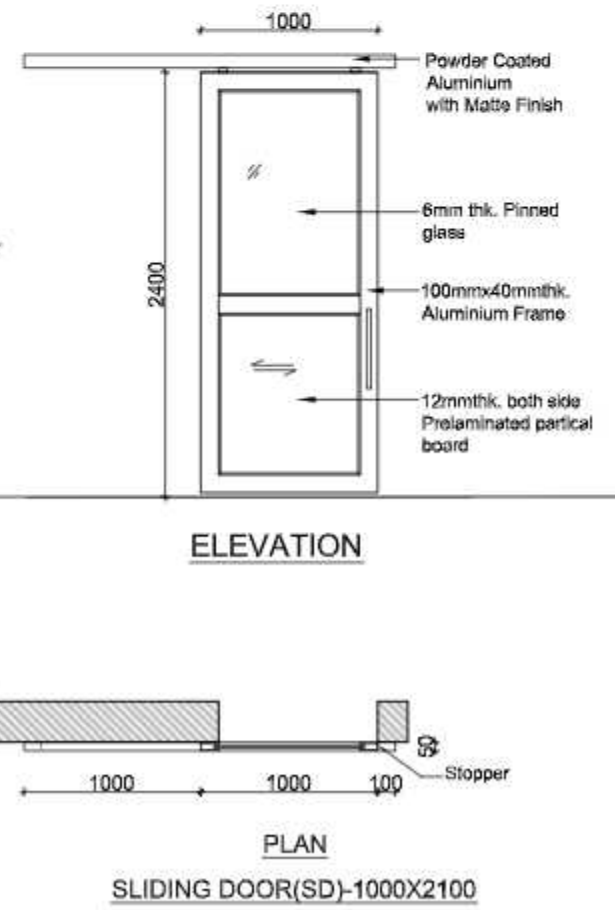
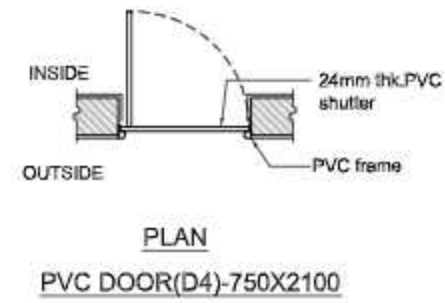
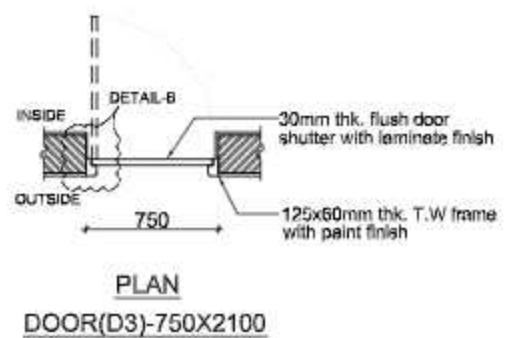
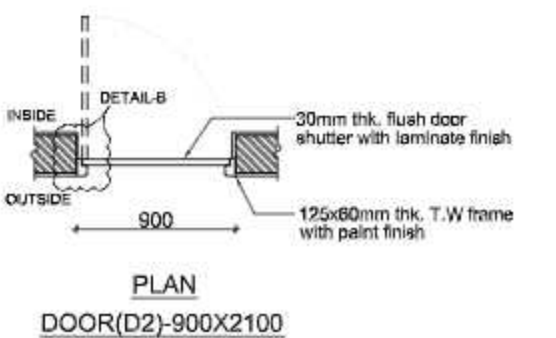
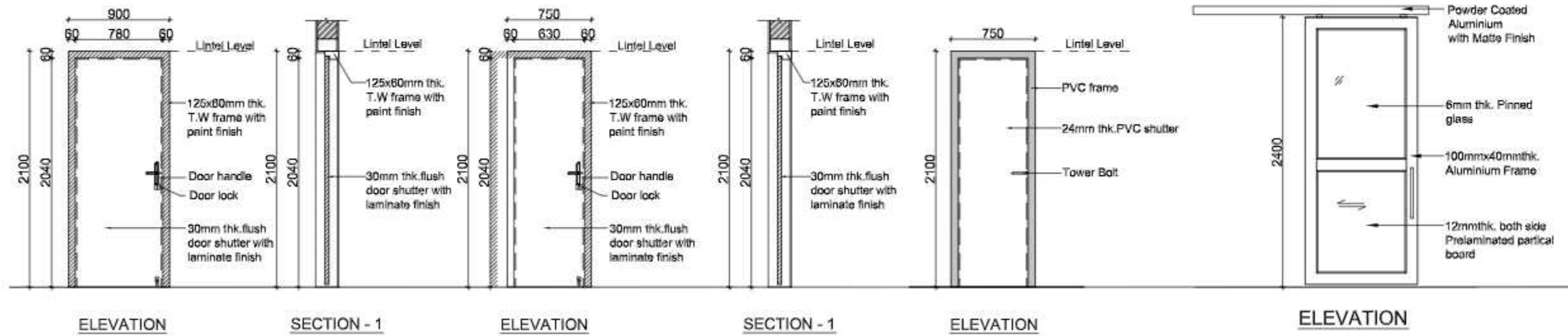
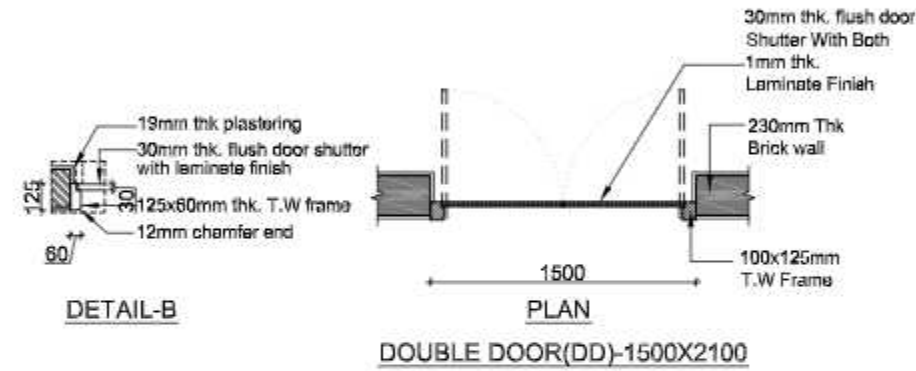
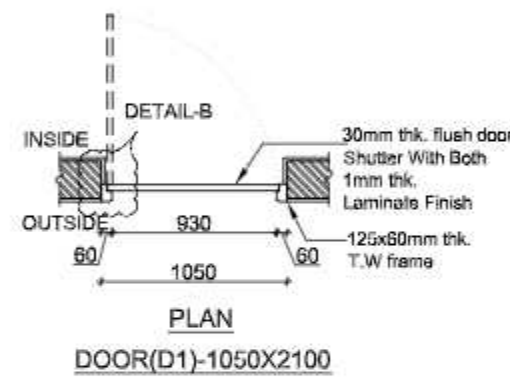
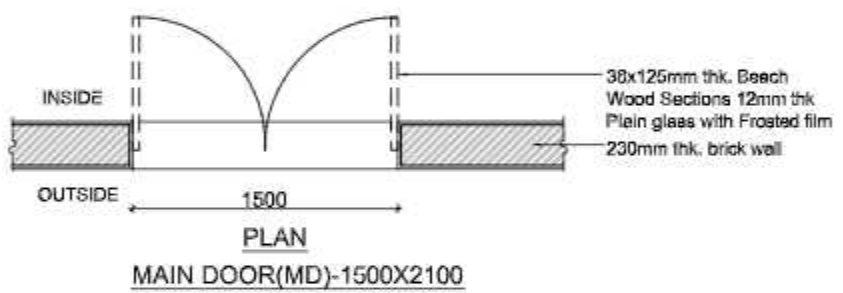
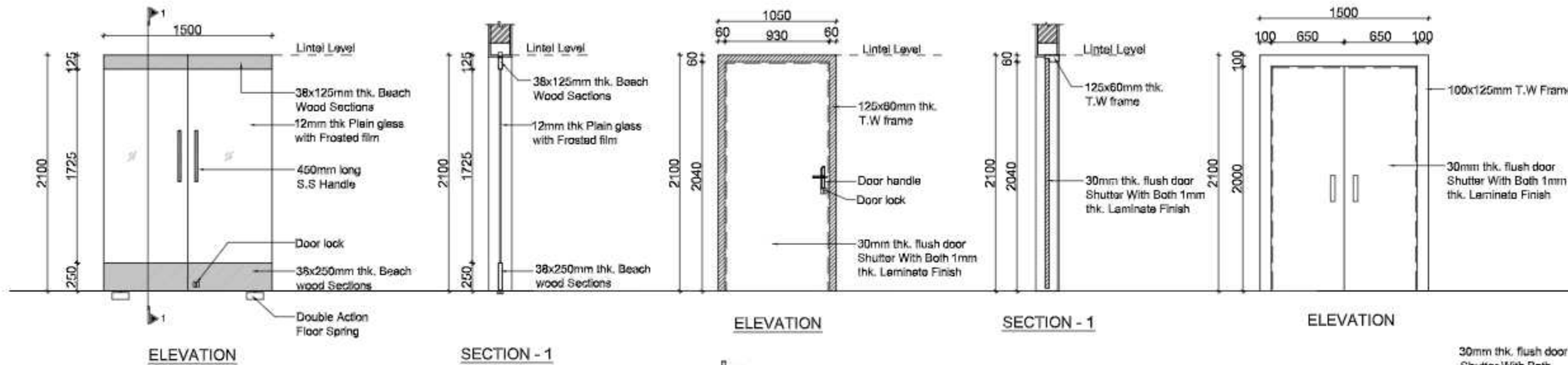
NANDA & ASSOCIATES ARCHITECTS

NO.36, SARASWATHI ILLAM, JANAKIRAM COLONY MAIN RD,
JANAKIRAM COLONY, ARUMBAKKAM, CHENNAI - 600 106.
TELEPHONE: 044-23637420, E-mail: nandaarchitects@gmail.com

COPYRIGHT:
 All rights reserved. This work is copyright and cannot be copied in any form or by any means (graphic, electronic or mechanical methods, including photocopying) without the written permission of Nanda & Associates. Any license, express or implied, to use the document for any purpose whatsoever is restricted in the terms of the agreement or implied agreement with Nanda & Associates.

SCHEDULE OF JOINERY

S.NO	SYMBOL	DESCRIPTION	SIZE
1	MD	MAIN DOOR (GLASS)	1500X2100
2	DD	FLUSH DOOR	1500X2100
3	D1	FLUSH DOOR	1050X2100
4	D2	FLUSH DOOR	900X2100
5	D3	FLUSH DOOR	750X2100
6	D4	PVC DOOR	750X2100
7	SD	SLIDING DOOR	1000X2100
8	W	WINDOW	1500 x 1350
9	W1	WINDOW	900X1350
10	KW	KITCHEN WINDOW	1500x1050
11	V	VENTILATOR	900X600
12	V1	VENTILATOR	800X600
13	GG	GRILL GATE	900X2100
14	RS	ROLLING SHUTTER	1500X2100
15	STD	STEEL DOOR	1050X2100



CLIENT:
CANARA BANK CENTENARY RURAL DEVELOPMENT TRUST(R)

PROJECT:
PROPOSED CONSTRUCTION CANARA BANK'S RURAL SELF EMPLOYMENT TRAINING INSTITUTE AT ERODE, TAMILNADU.

DRAWING TITLE:
JOINERY DETAIL (DOORS)

SCHEMATIC DRAWING WORKING DRAWING
 TENDER DRAWING AS BUILT DRAWING

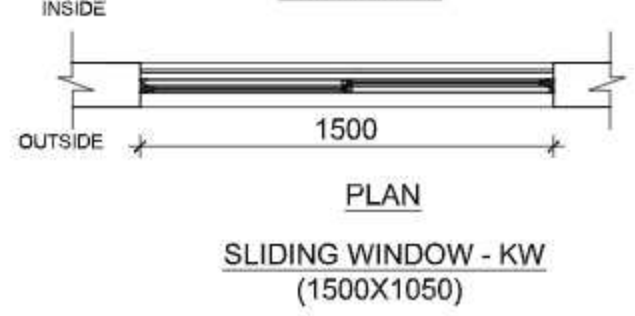
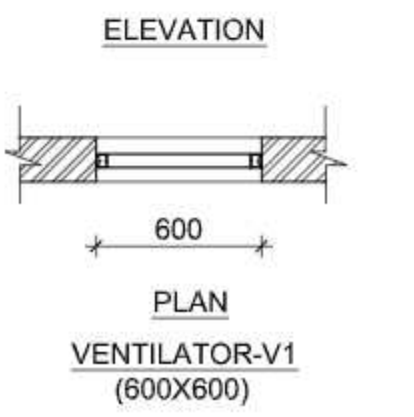
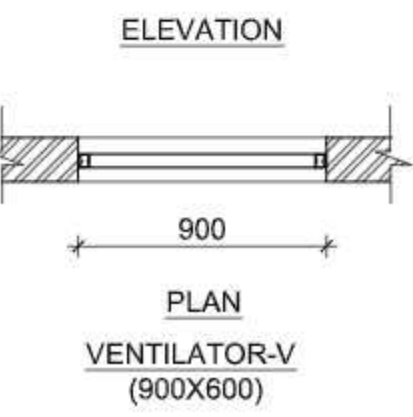
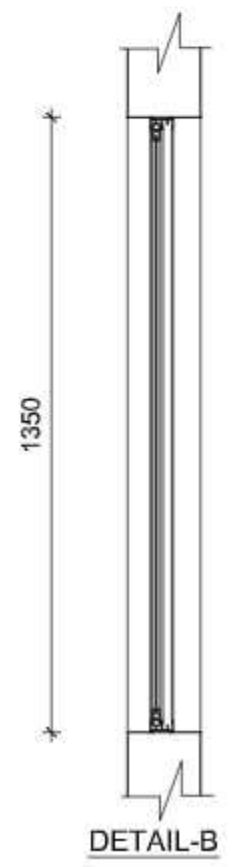
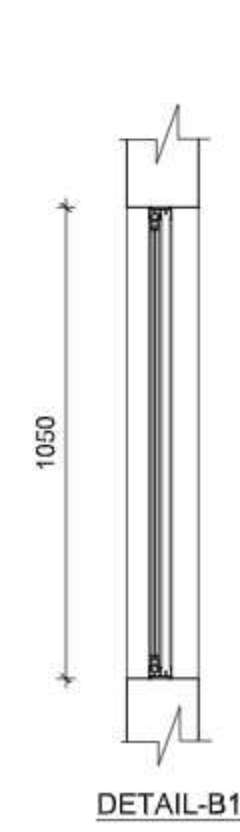
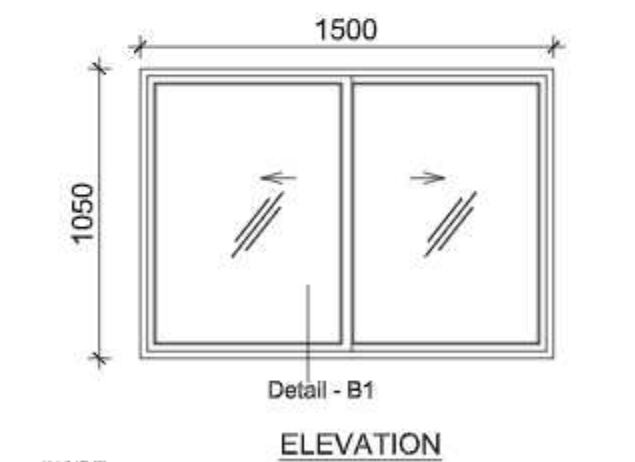
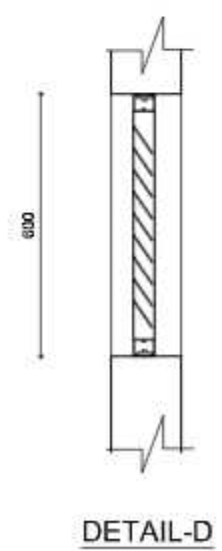
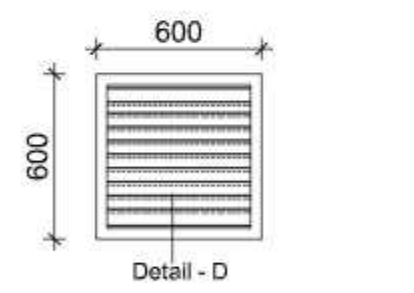
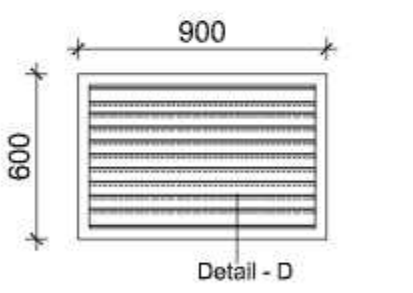
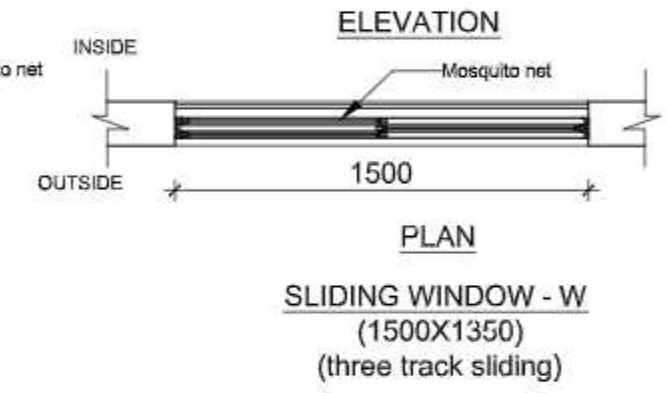
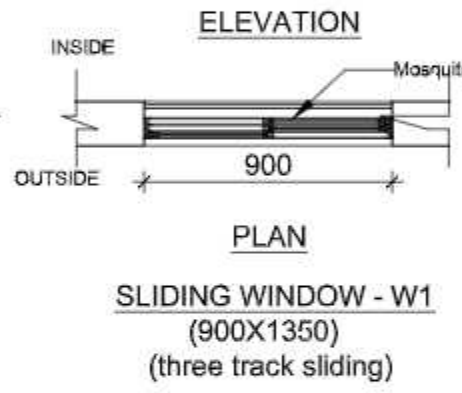
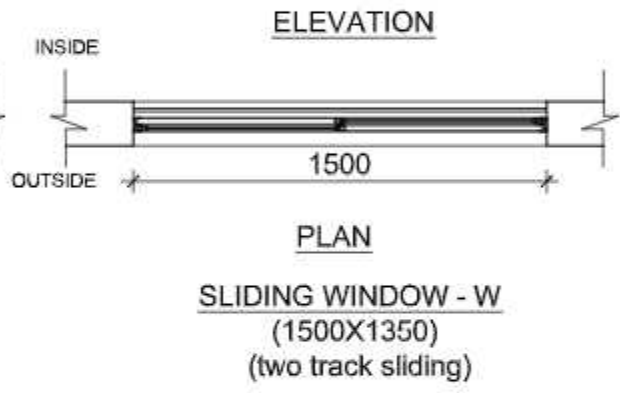
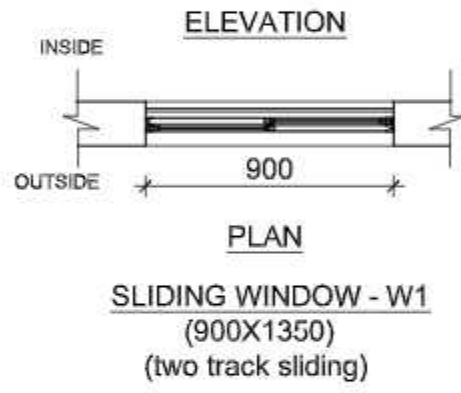
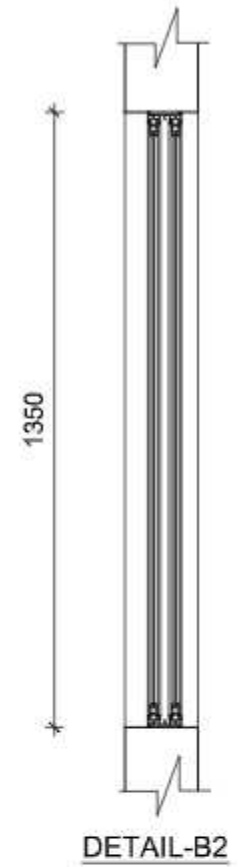
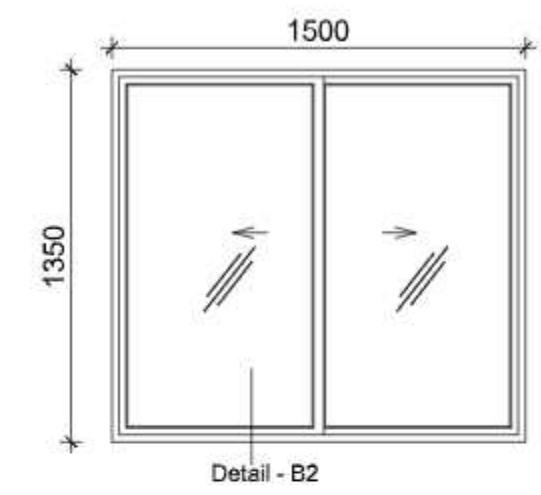
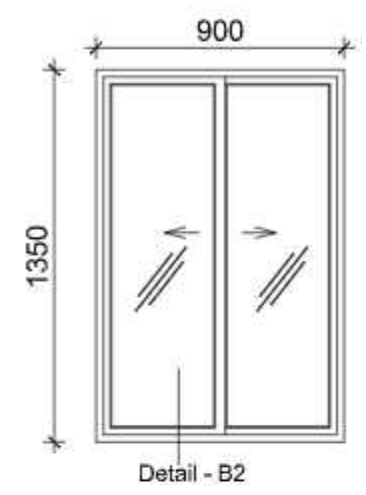
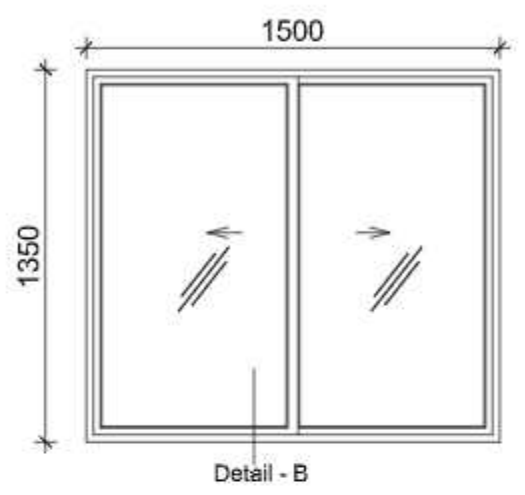
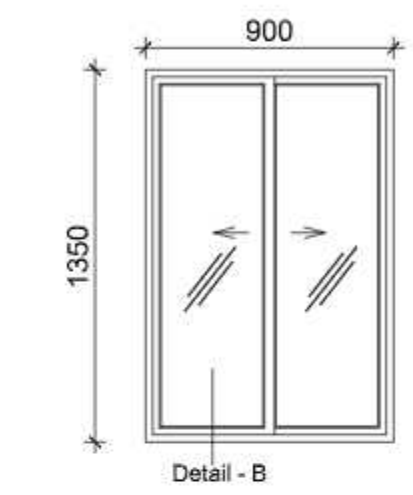
SCALE : N.T.S DATE : 12/12/2022 REV NO: 00
 DRAWN BY : Divya CHECKED BY : Mani
 JOB NO : 2167/20 DWG NO : ARC - TR - 08

ARCHITECT:
NANDA & ASSOCIATES ARCHITECTS
 NO.36, SARASWATHI ILLAM, JANAKIRAM COLONY MAIN RD, JANAKIRAM COLONY, ARUMBAKKAM, CHENNAI - 600 106. TELEPHONE: 044-23637420, E-mail: nandaarchitects@gmail.com

COPYRIGHT:
 All rights reserved. This work is copyright and cannot be copied in any form or by any means (graphic, electronic or reproduced mechanical, including photocopying) without the written permission of Nanda & Associates. Any infringement or imitation in use the document for any purpose whatsoever is restricted to the terms of the agreement or implied agreement with nanda & associates.

SCHEDULE OF JOINERY

S.NO	SYMBOL	DESCRIPTION	SIZE
1	MD	MAIN DOOR (GLASS)	1500X2100
2	DD	FLUSH DOOR	1500X2100
3	D1	FLUSH DOOR	1050X2100
4	D2	FLUSH DOOR	900X2100
5	D3	FLUSH DOOR	750X2100
6	D4	PVC DOOR	750X2100
7	SD	SLIDING DOOR	1000x2100
8	W	WINDOW	1500 x1350
9	W1	WINDOW	900X1350
10	KW	KITCHEN WINDOW	1500x1050
11	V	VENTILATOR	900X800
12	V1	VENTILATOR	600X800
13	GG	GRILL GATE	900X2100
14	RS	ROLLING SHUTTER	1500X2100
15	STD	STEEL DOOR	1050X2100



CLIENT:
 CANARA BANK CENTENARY RURAL DEVELOPMENT TRUST(R)

PROJECT:
 PROPOSED CONSTRUCTION CANARA BANK'S RURAL SELF EMPLOYMENT TRAINING INSTITUTE AT ERODE , TAMILNADU.

DRAWING TITLE:
 JOINERY DETAIL (DOORS)

SCHEMATIC DRAWING WORKING DRAWING
 TENDER DRAWING AS BUILT DRAWING

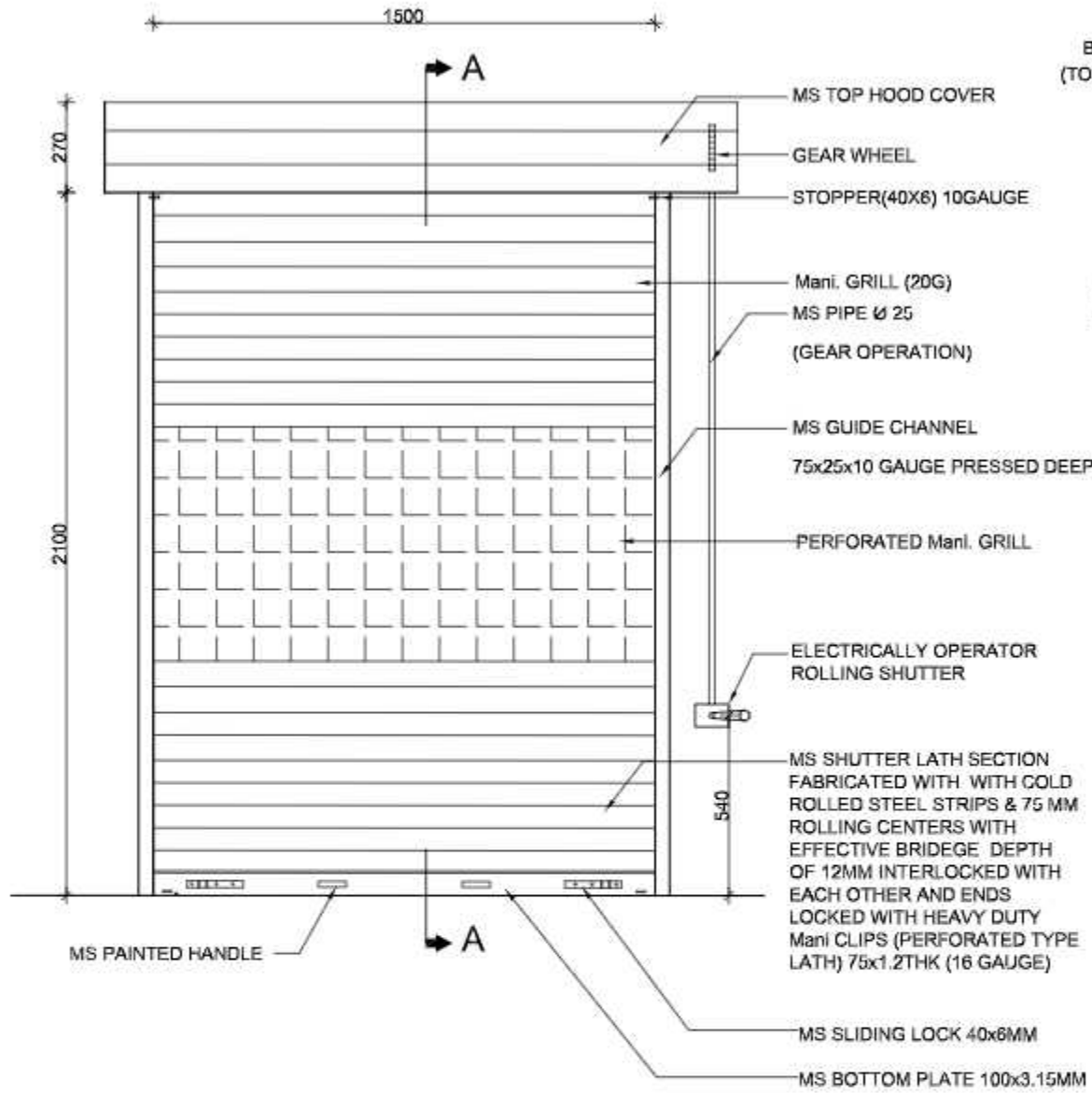
SCALE : N.T.S DATE : 12/12/2022 REV NO. : 00
 DRAWN BY : Divya CHECKED BY : Mani
 JOB NO : 218720 DWG NO : ARC - TR - 10

ARCHITECT:
NANDA & ASSOCIATES ARCHITECTS
 NO.36, SARASWATHI ILLAM, JANAKIRAM COLONY MAIN RD. JANAKIRAM COLONY, ARUMBAKKAM, CHENNAI - 600 106. TELEPHONE: 044-23637420, E-mail: nandaarchitects@gmail.com

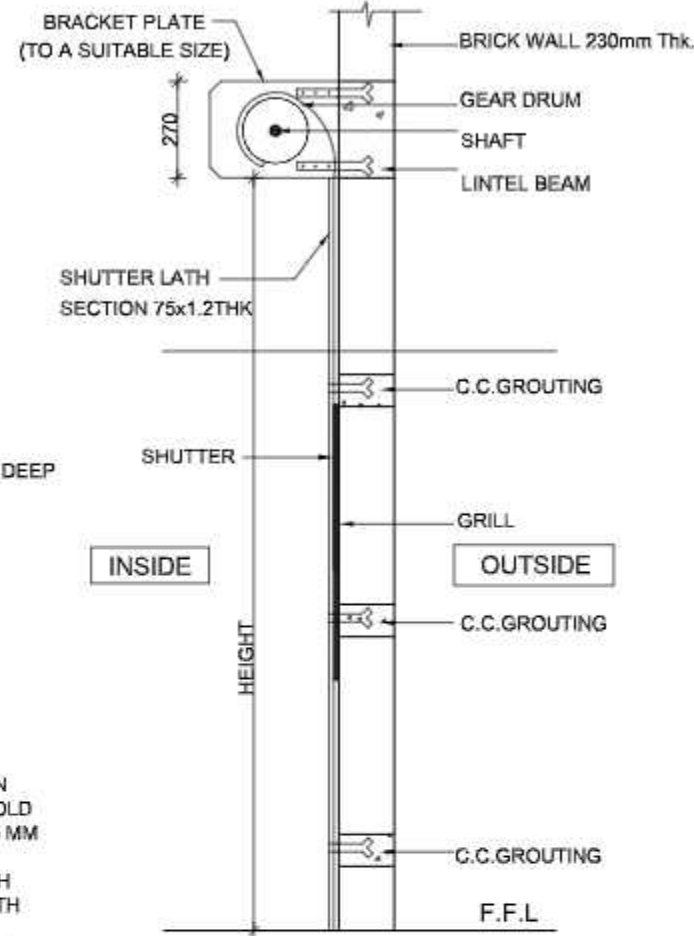
COPYRIGHT:
 All rights reserved. This work is copyright and cannot be copied in any form or by any means (graphic, electronic or reproduced mechanical, including photocopying) without the written permission of Nanda & Associates. Any license, express or implied, to use the document for any purpose whatsoever is restricted in the terms of the agreement or implied agreement with Nanda & Associates.

SCHEDULE OF JOINERY

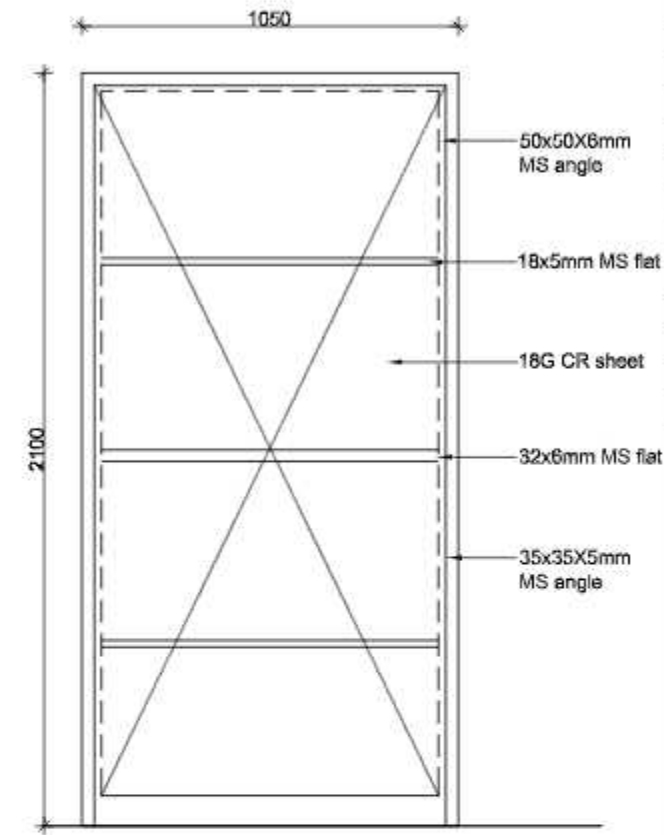
S.NO	SYMBOL	DESCRIPTION	SIZE
1	MD	MAIN DOOR (GLASS)	1000X2100
2	DD	FLUSH DOOR	1500X2100
3	D1	FLUSH DOOR	1050X2100
4	D2	FLUSH DOOR	900X2100
5	D3	FLUSH DOOR	750X2100
6	D4	PVC DOOR	750X2100
7	SD	SLIDING DOOR	1000X2100
8	W	WINDOW	1500 x 1350
9	W1	WINDOW	900X1350
10	KW	KITCHEN WINDOW	1500X1050
11	V	VENTILATOR	900X600
12	V1	VENTILATOR	800X600
13	GG	GRILL GATE	900X2100
14	RS	ROLLING SHUTTER	1500X2100
15	STD	STEEL DOOR	1050X2100



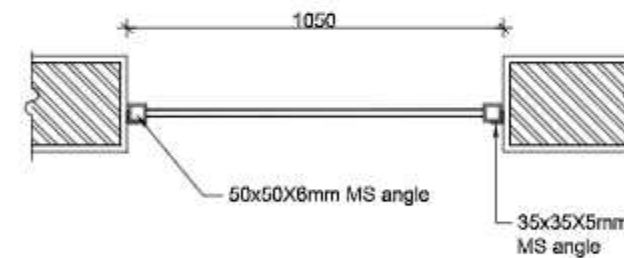
**ELEVATION OF ROLLING SHUTTER - RS
 STEEL ROLLING SHUTTER**



SECTION AT A-A



ELEVATION



**PLAN
 STEEL DOOR(STD)-1050X2100**

CLIENT:
**CANARA BANK CENTENARY
 RURAL DEVELOPMENT TRUST(R)**

PROJECT:
**PROPOSED CONSTRUCTION CANARA
 BANK'S RURAL SELF EMPLOYMENT
 TRAINING INSTITUTE AT ERODE,
 TAMILNADU.**

DRAWING TITLE:
JOINERY DETAIL (DOORS)

SCHEMATIC DRAWING WORKING DRAWING
 TENDER DRAWING AS BUILT DRAWING

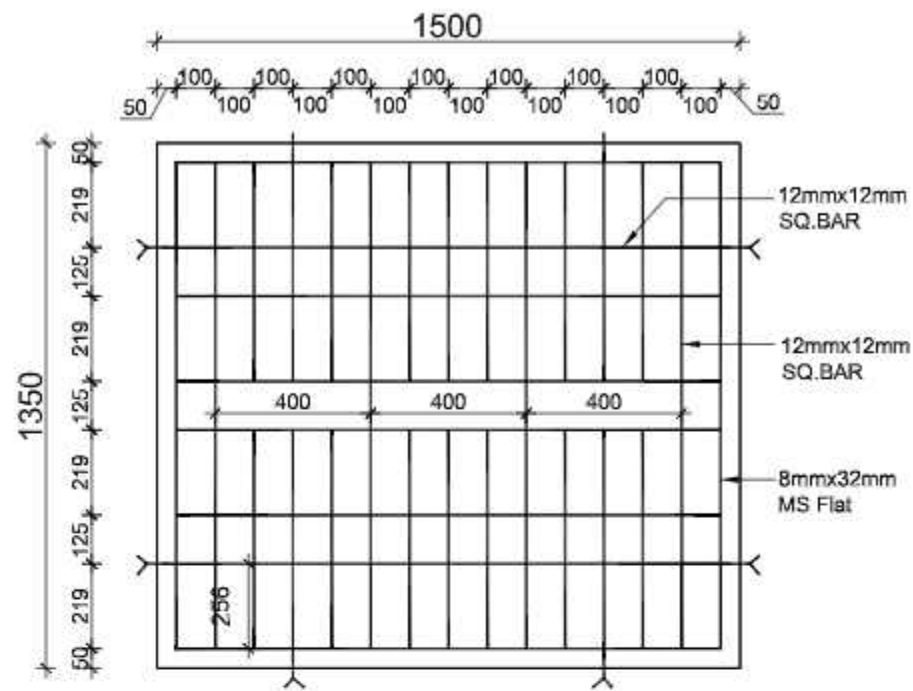
SCALE : N.T.S DATE : 12/12/2022 REV NO:
 DRAWN BY : Divya CHECKED BY : Mani 00
 JOB NO : 2157/20 DWG NO : ARC - TR - 11

ARCHITECT:
 **NANDA & ASSOCIATES
 ARCHITECTS**
 NO.36, SARASWATHI ILLAM, JANAKIRAM COLONY MAIN RD,
 JANAKIRAM COLONY, ARUMBAKKAM, CHENNAI - 600 106.
 TELEPHONE: 044-23637420, E-mail: nandaarchitects@gmail.com

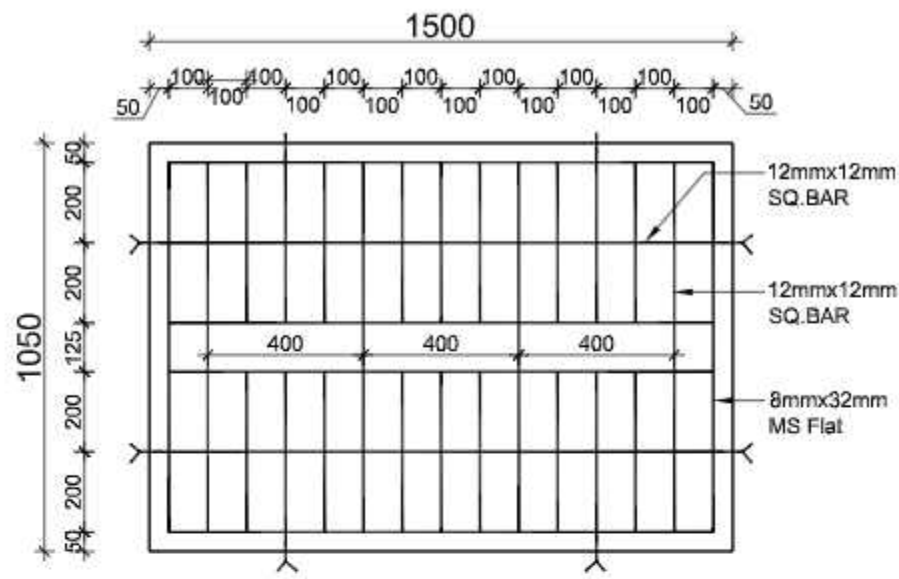
COPYRIGHT:
All rights reserved. This work is copyright and cannot be copied in any form or by any means (graphic, electronic or reproduced mechanical, including photocopying) without the written permission of Nanda & Associates. Any license, express or implied, to use the document for any purpose whatsoever is restricted in the terms of the agreement or implied agreement with Nanda & Associates.

SCHEDULE OF JOINERY

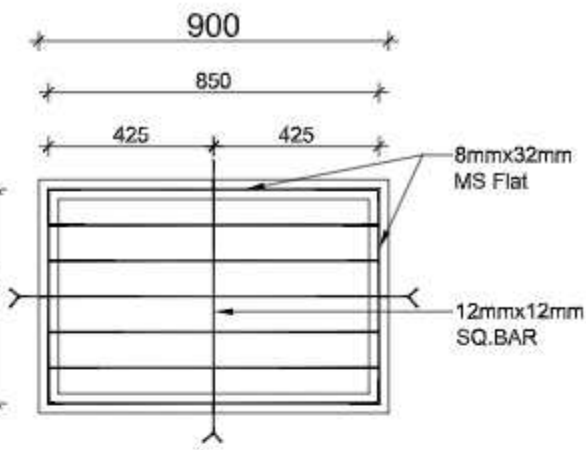
S.NO	SYMBOL	DESCRIPTION	SIZE
1	MD	MAIN DOOR (GLASS)	1500X2100
2	DD	FLUSH DOOR	1500X2100
3	D1	FLUSH DOOR	1050X2100
4	D2	FLUSH DOOR	900X2100
5	D3	FLUSH DOOR	750X2100
6	D4	PVC DOOR	750X2100
7	SD	SLIDING DOOR	1000X2100
8	W	WINDOW	1500 x1350
9	W1	WINDOW	900X1350
10	KW	KITCHEN WINDOW	1500X1050
11	V	VENTILATOR	900X600
12	V1	VENTILATOR	800X600
13	GG	GRILL GATE	900X2100
14	RS	ROLLING SHUTTER	1500X2100
15	STD	STEEL DOOR	1050X2100



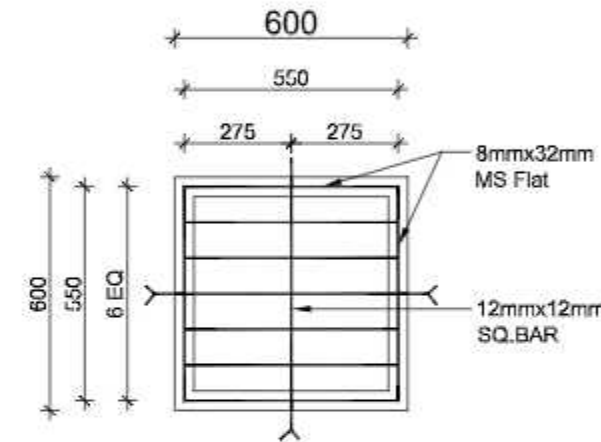
SLIDING WINDOW - W
(1500X1350)



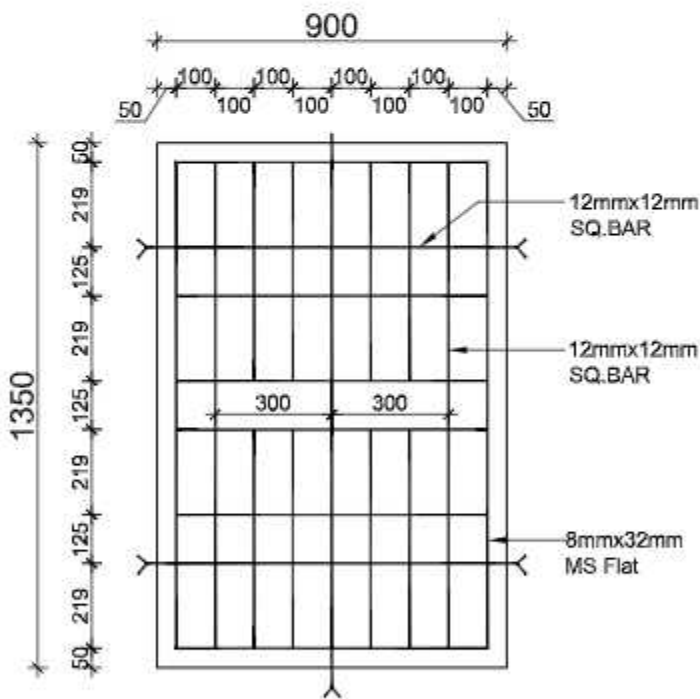
SLIDING WINDOW - KW
(1500X1050)



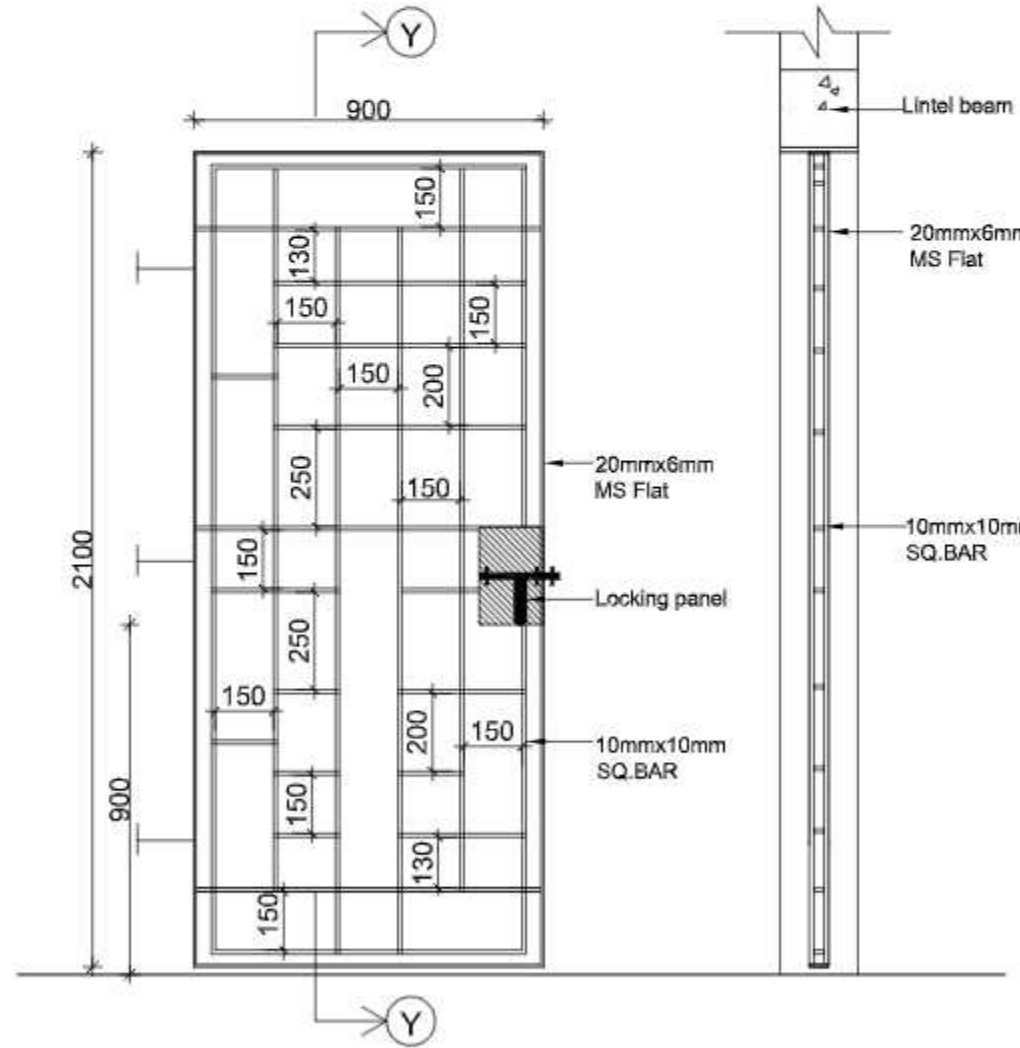
VENTILATOR - V
(900X600)



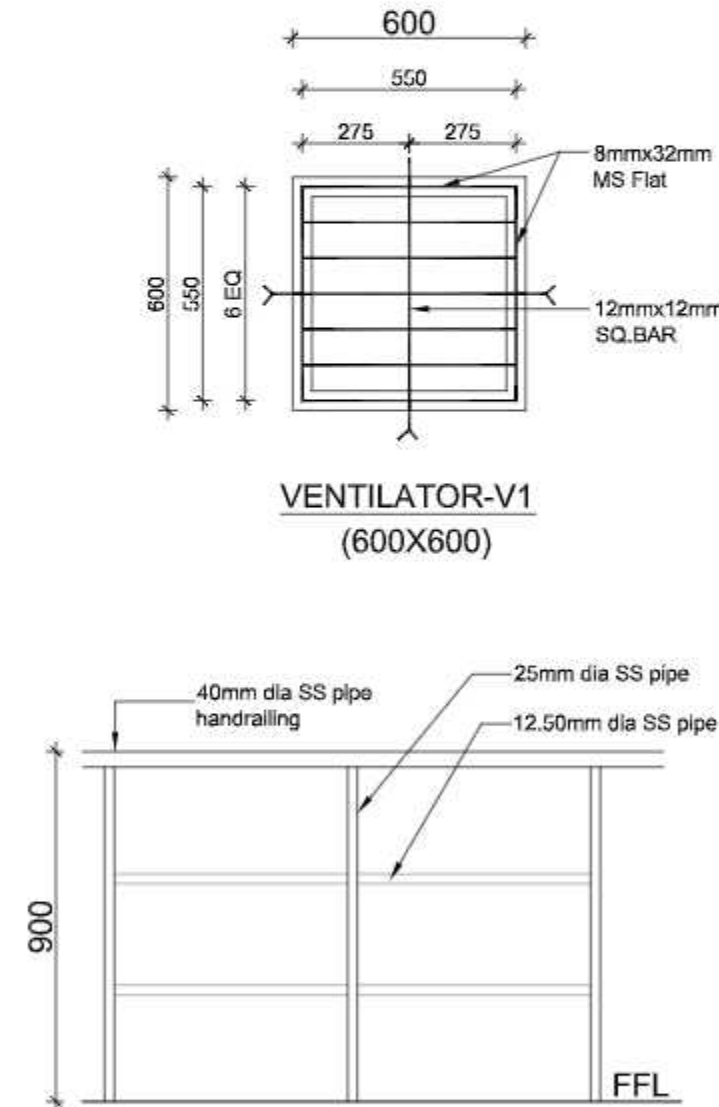
VENTILATOR - V1
(600X600)



SLIDING WINDOW - W1
(900X1350)



GRILL GATE - GG
(900X2100)



TYPICAL HANRAILING DETAIL
FOR RAMP, ENT. SEPTS, STAIRCASE.

CLIENT:
CANARA BANK CENTENARY
RURAL DEVELOPMENT TRUST(R)

PROJECT:
PROPOSED CONSTRUCTION CANARA
BANK'S RURAL SELF EMPLOYMENT
TRAINING INSTITUTE AT ERODE,
TAMILNADU.

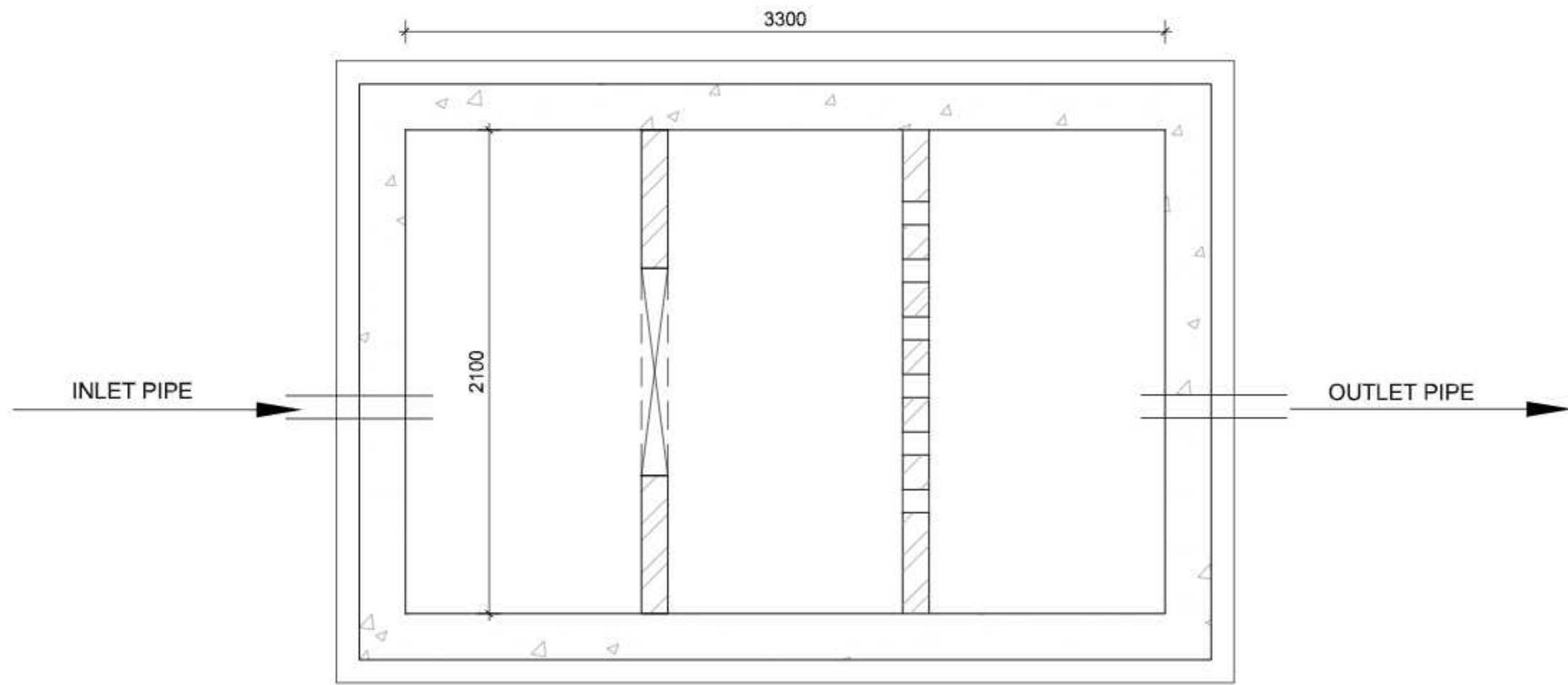
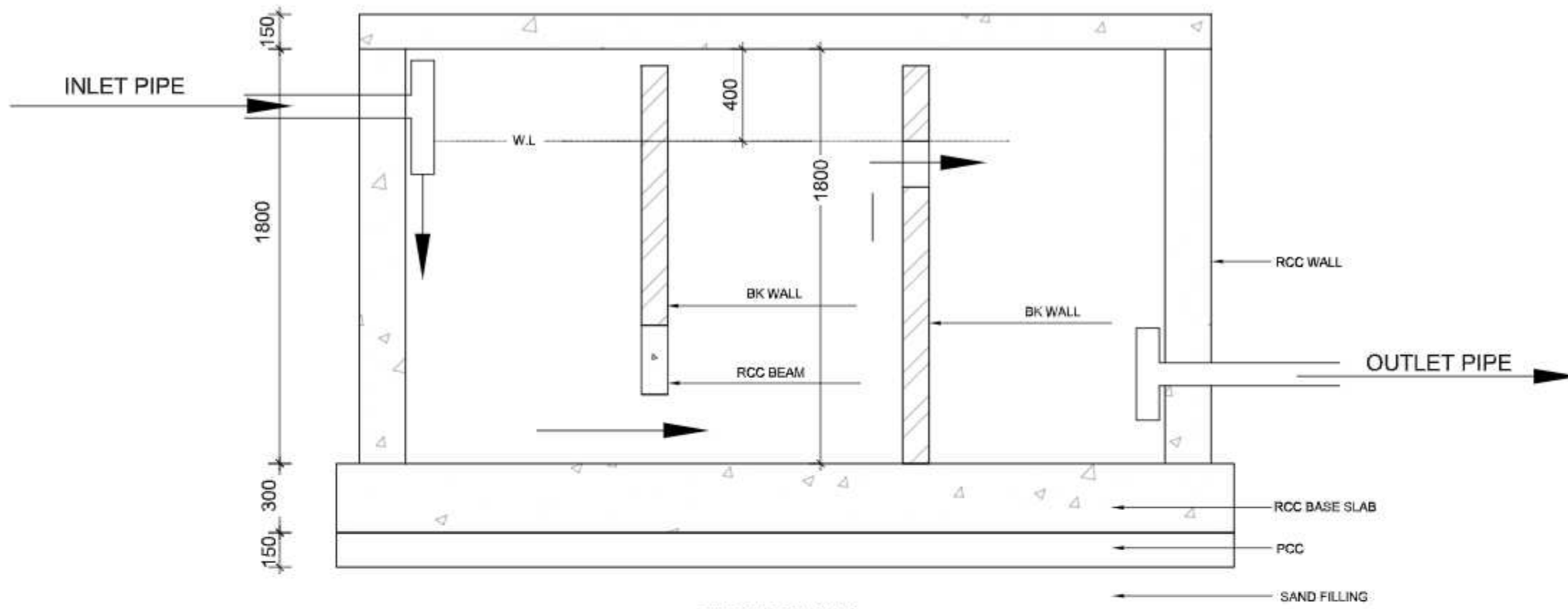
DRAWING TITLE:
JOINERY DETAIL (DOORS)

SCHEMATIC DRAWING WORKING DRAWING
 TENDER DRAWING AS BUILT DRAWING

SCALE : N.T.S. DATE : 12/12/2022 REV NO.:
DRAWN BY : Divya CHECKED BY : Mani 00
JOB NO : 2157/20 DWG NO : ARC - TR - 12

ARCHITECT:
NANDA & ASSOCIATES
ARCHITECTS
NO.36, SARASWATHI ILLAM, JANAKIRAM COLONY MAIN RD,
JANAKIRAM COLONY, ARUMBAKKAM, CHENNAI - 600 106.
TELEPHONE: 044-23637420, E-mail: nandaarchitects@gmail.com

COPYRIGHT:
 All rights reserved. This work is copyright and cannot be reproduced in any form or by any means (graphic, electronic or reproduced mechanically, including photocopying) without the written permission of Nanda & Associates. Any unauthorized use or copying of this document for any purposes whatsoever is restricted to the terms of the agreement or implied agreement with Nanda & Associates.



PLAN OF SEPTIC TANK
 3300 x 2100 x 1800
 (10,000 LITERS CAPACITY)

REV.	DESCRIPTION	DATE	BY	DRN.

CLIENT:
 CANARA BANK CENTENARY
 RURAL DEVELOPMENT TRUST(R)

PROJECT:
 PROPOSED CONSTRUCTION CANARA
 BANK'S RURAL SELF EMPLOYMENT
 TRAINING INSTITUTE AT ERODE,
 TAMILNADU.

DRAWING TITLE:
 SEPTIC TANK DETAIL

- SCHEMATIC DRAWING
- WORKING DRAWING
- TENDER DRAWING
- AS BUILT DRAWING

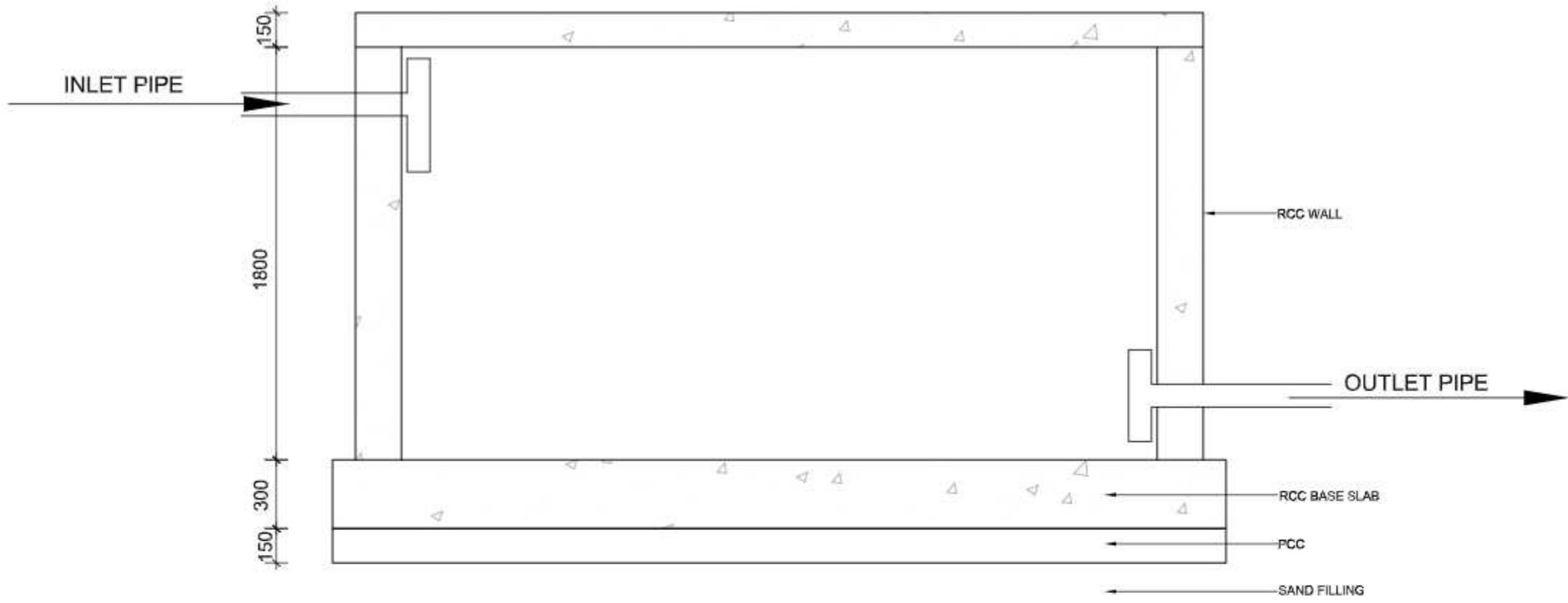
SCALE : N.T.S	DATE : 12/12/2022	REV NO:
DRAWN BY : M911	CHECKED BY : M.S	01
JOB NO : 218720	DWG NO : ARC - TR - 13	

ARCHITECT:

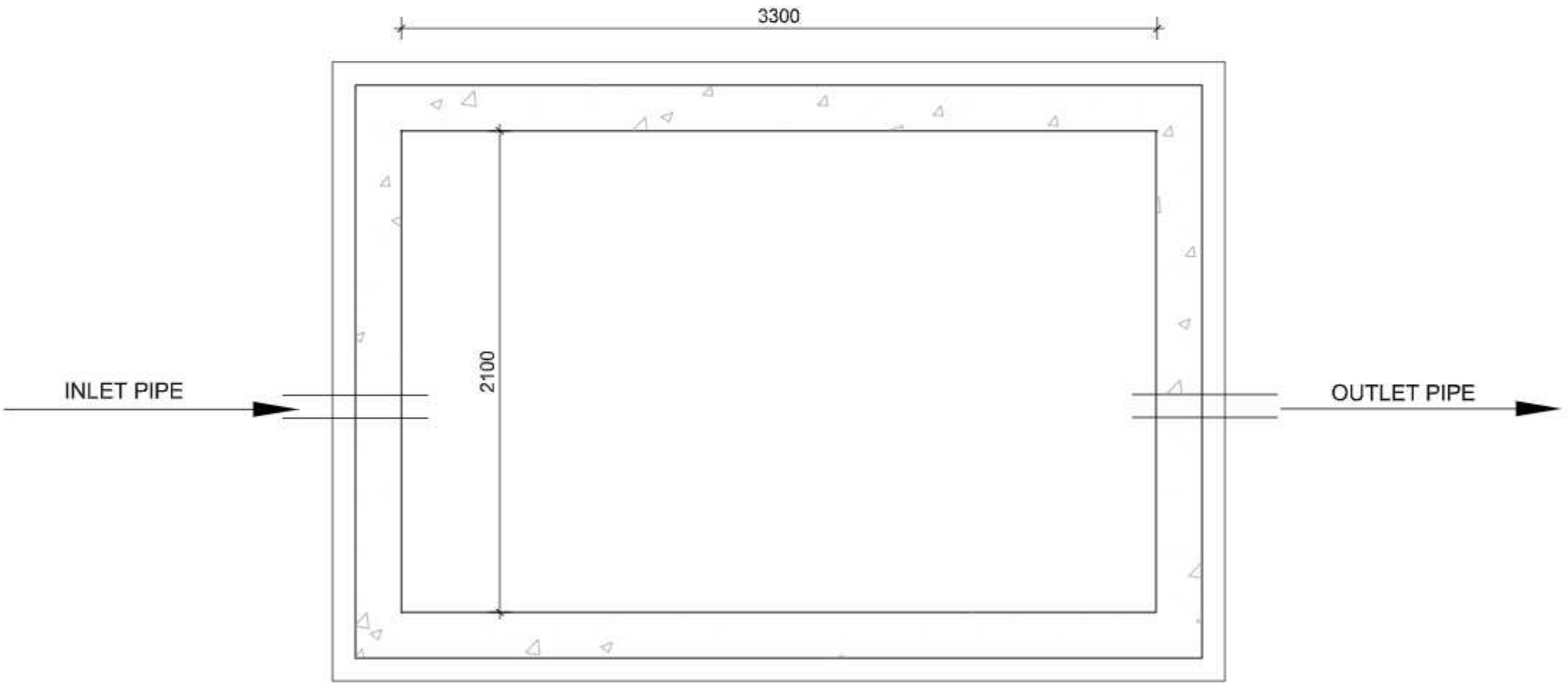
NANDA & ASSOCIATES
 ARCHITECTS

NO 36, SARASWATHI ILLAM, JANAKIRAM COLONY MAIN RD,
 JANAKIRAM COLONY, ARUMBARKAM, CHENNAI - 600 106
 TELEPHONE: 044-23637420, E-mail: nandaarchitects@gmail.com

COPYRIGHT:
 All rights reserved. This work is copyright and cannot be reproduced in any form or by any means (graphic, electronic or reproduced mechanical, including photocopying) without the written permission of Nanda & Associates. Any unauthorized use or copying of this document for any purposes whatsoever is prohibited. The terms of the agreement or implied agreement with Nanda & Associates.



SECTION X X



PLAN OF SUMP
 3300 x 2100 x 1800
 (10,000 LITERS CAPACITY)

REV.	DESCRIPTION	DATE	BY	DRN.
------	-------------	------	----	------

CLIENT:
 CANARA BANK CENTENARY
 RURAL DEVELOPMENT TRUST(R)

PROJECT:
 PROPOSED CONSTRUCTION CANARA
 BANK'S RURAL SELF EMPLOYMENT
 TRAINING INSTITUTE AT ERODE,
 TAMILNADU.

DRAWING TITLE:
 UNDER GROUND SUMP DETAIL

- SCHEMATIC DRAWING
- WORKING DRAWING
- TENDER DRAWING
- AS BUILT DRAWING

SCALE : N.T.S	DATE : 12/12/2022	REV NO:
DRAWN BY : M911	CHECKED BY : M.S	01
JOB NO : 218720	DWG NO : ARC - TR - 14	

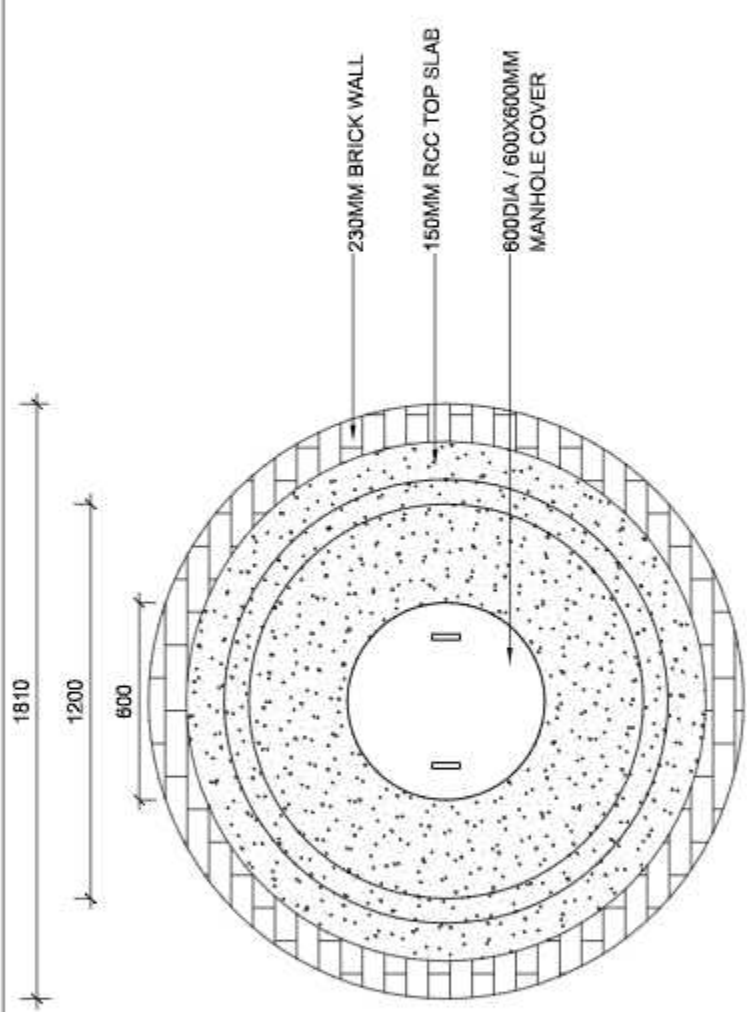
ARCHITECT:



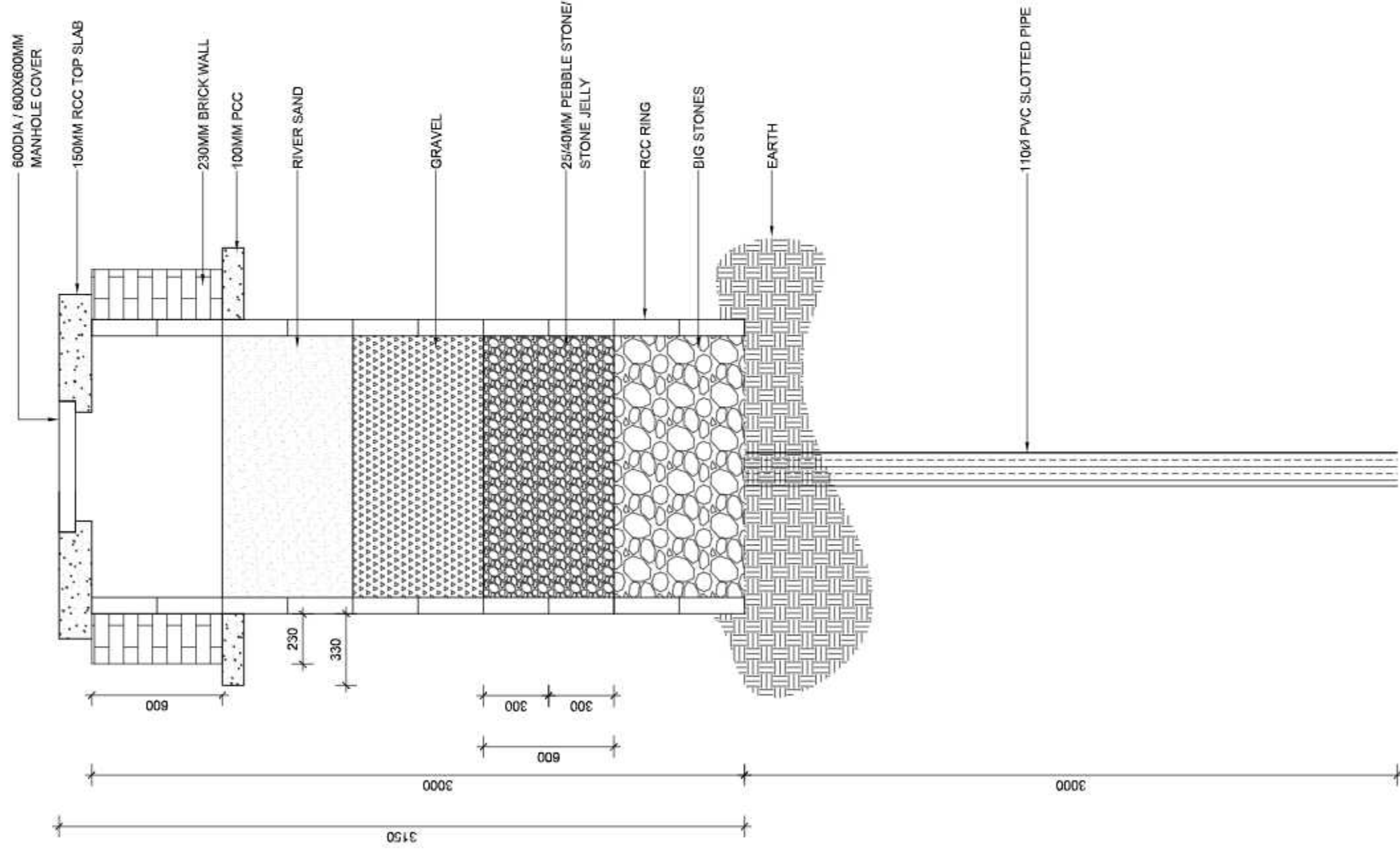
NANDA & ASSOCIATES
 ARCHITECTS

NO 36, SARASWATHI ILLAM, JANAKIRAM COLONY MAIN RD,
 JANAKIRAM COLONY, ARUMBARKAM, CHENNAI - 600 106
 TELEPHONE: 044-23637420, E-mail: nandaarchitects@gmail.com

COPYRIGHT:
 All rights reserved. This work is copyright and cannot be copied or any form of its any means (graphic, electronic or mechanical), including photocopying, without the written permission of Nanda & Associates. Any alteration, copies or reproduction without the attached for any purpose whatsoever is prohibited in the absence of the agreement for a formal agreement with Nanda & Associates.



PLAN



SECTION

REV	DESCRIPTION	DATE	BY	DRN

CLIENT:
 CANARA BANK CENTENARY
 RURAL DEVELOPMENT TRUST(R)

PROJECT:
 PROPOSED CONSTRUCTION CANARA
 BANK'S RURAL SELF EMPLOYMENT
 TRAINING INSTITUTE AT ERODE,
 TAMILNADU.

DRAWING TITLE:
 SOAK PITS

- SCHEMATIC DRAWING
- WORKING DRAWING
- TENDER DRAWING
- AS BUILT DRAWING

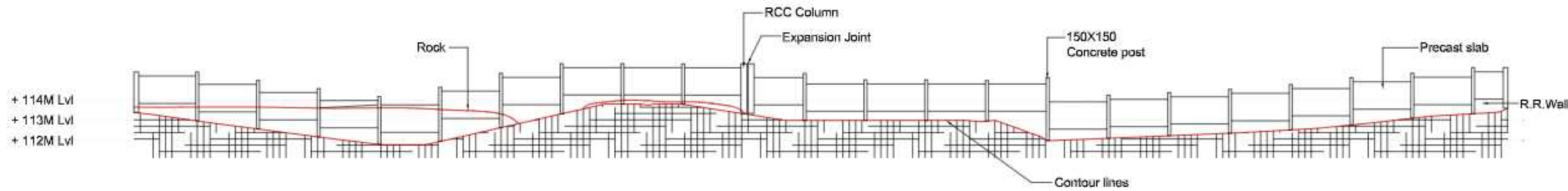
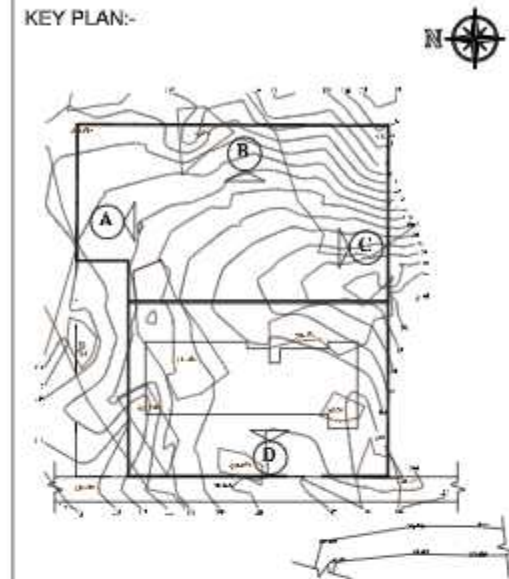
SCALE	: N.T.S	DATE	: 12/12/2022	REV NO	
DRAWN BY	: Mani	CHECKED BY	: M.S		01
JOB NO	: 218720	DWG NO	: ARC - TR - 15		

ARCHITECT:
N.A
NANDA & ASSOCIATES
ARCHITECTS
 NO.38, SARASWATHI ILLAM, JANAKIRAM COLONY MAIN RD,
 JANAKIRAM COLONY, ARUMBAKKAM, CHENNAI - 600 106.
 TELEPHONE: 044-2187420, E-mail: nandaassociates@gmail.com

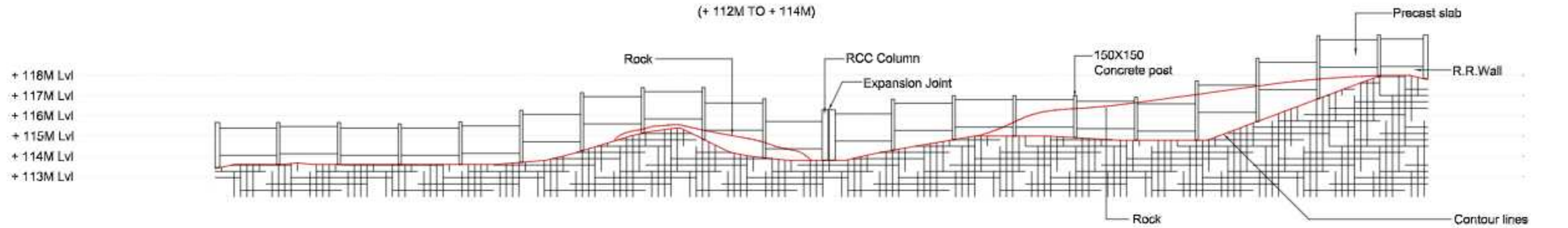
COPYRIGHT:
 All rights reserved. This work is copyright and cannot be copied in any form or by any means (graphic, electronic or reproduced mechanical, including photocopying) without the written permission of Nanda & Associates. Any license, express or implied, to use the document for any purpose whatsoever is restricted in the terms of the agreement or implied agreement with Nanda & Associates.

LEGEND:-

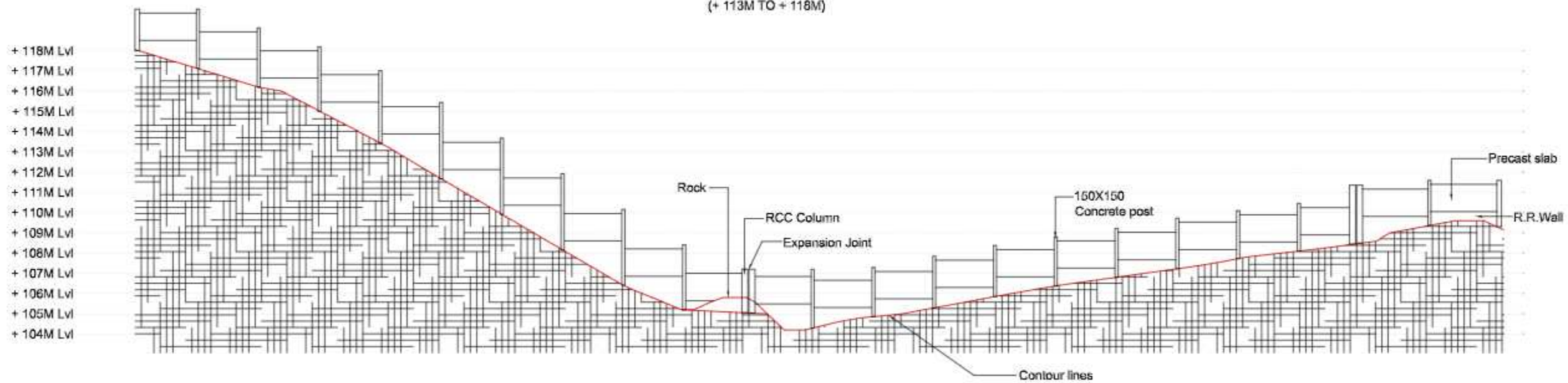
 ■ 230MM THK BRICK WORK
 ■ R.C.C COLUMN



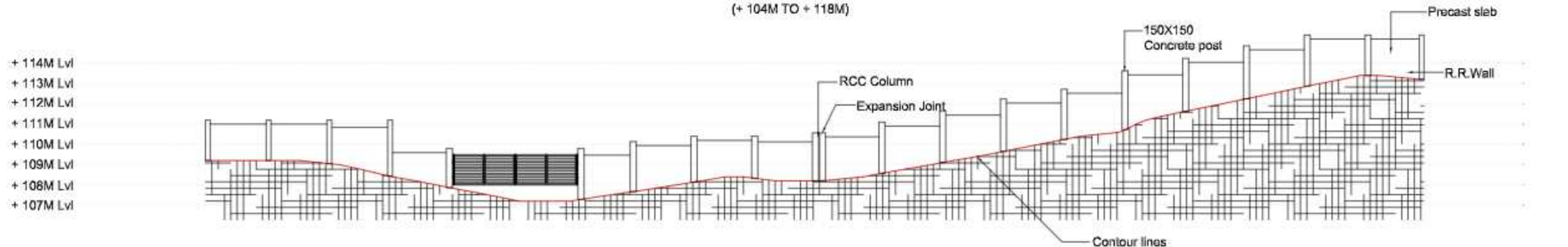
COMPOUND WALL - ELEVATION A
 (+ 112M TO + 114M)



COMPOUND WALL - ELEVATION B
 (+ 113M TO + 118M)



COMPOUND WALL - ELEVATION C
 (+ 104M TO + 118M)



FOR COMPOUND WALL - ELEVATION D
 (+ 107M TO + 114M)

CLIENT:
 CANARA BANK CENTENARY
 RURAL DEVELOPMENT TRUST(R)

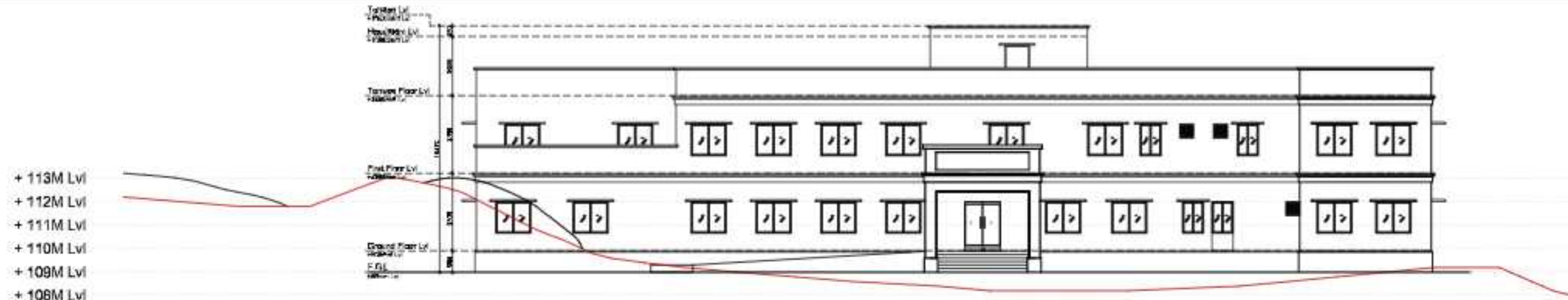
PROJECT :
 PROPOSED CONSTRUCTION CANARA
 BANK'S RURAL SELF EMPLOYMENT
 TRAINING INSTITUTE AT ERODE ,
 TAMILNADU.

DRAWING TITLE :
 COMPOUND WALL ELEVATION
 WITH CONTOUR LEVELS

SCHEMATIC DRAWING WORKING DRAWING
 TENDER DRAWING AS BUILT DRAWING

SCALE : N.T.S	DATE : 12/12/2022	REV NO:
DRAWN BY : Divya	CHECKED BY : Maresh	00
JOB NO : 2187/20	DWG NO : ARC - TR - A	

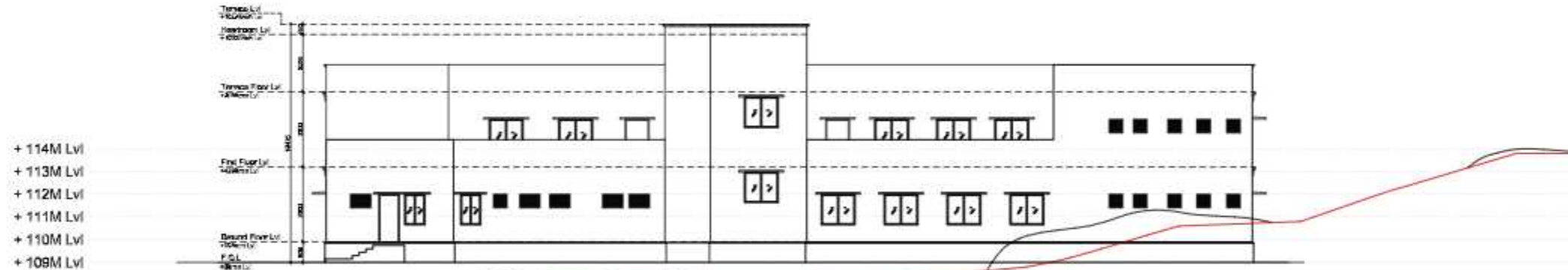
ARCHITECT :
 **NANDA & ASSOCIATES**
ARCHITECTS
 NO.36, SARASWATHI ILLAM, JANAKIRAM COLONY MAIN RD,
 JANAKIRAM COLONY, ARUMBAKKAM, CHENNAI - 600 106.
 TELEPHONE: 044-23637420, E-mail: nandaarchitects@gmail.com



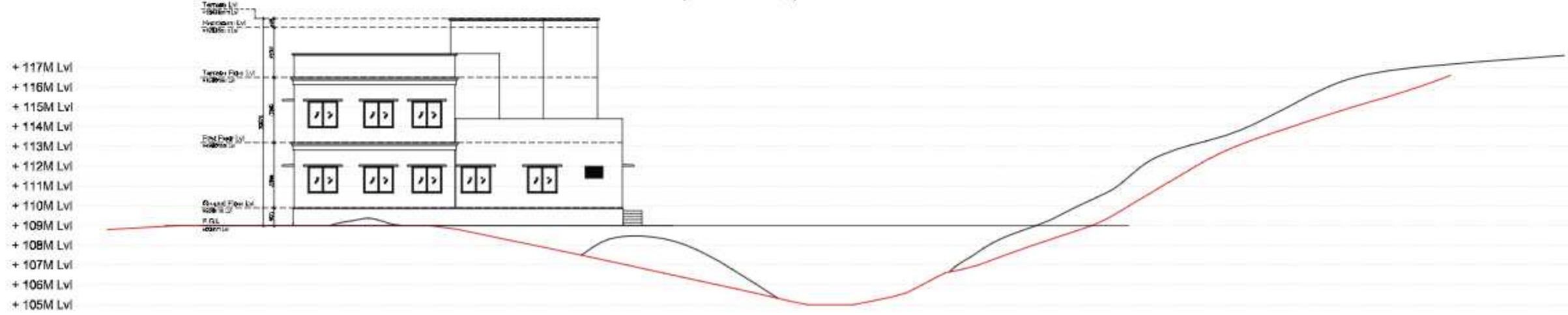
WEST SIDE ELEVATION - 1
(+ 108M TO + 113M)



NORTH SIDE ELEVATION - 2
(+ 110M TO + 114M)



EAST SIDE ELEVATION - 3
(+ 105M TO + 114M)

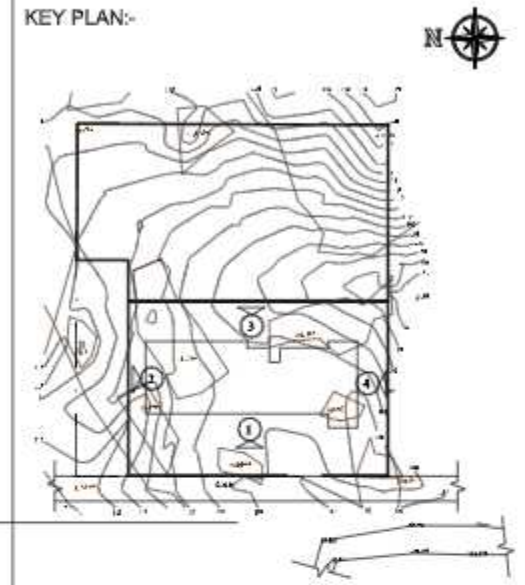


SOUTH SIDE ELEVATION - 4
(+ 105M TO + 117M)

COPYRIGHT:
All rights reserved. This work is copyright and cannot be copied in any form or by any means (graphic, electronic or reproduced mechanical, including photocopying) without the written permission of Nanda & Associates. Any breach, progress or impact to use the document for any purpose whatsoever is restricted in the name of the agreement or implied agreement with Nanda & Associates.

LEGEND:-

 230MM THK BRICK WORK
 R.C.C COLUMN



CLIENT:
CANARA BANK CENTENARY
RURAL DEVELOPMENT TRUST(R)

PROJECT :
PROPOSED CONSTRUCTION CANARA
BANK'S RURAL SELF EMPLOYMENT
TRAINING INSTITUTE AT ERODE ,
TAMILNADU.

DRAWING TITLE :
ELEVATION WITH CONTOUR LEVELS

SCHEMATIC DRAWING WORKING DRAWING
 TENDER DRAWING AS BUILT DRAWING

SCALE : N.T.S	DATE : 12/12/2022	REV NO:
DRAWN BY : Divya	CHECKED BY : Maresh	00
JOB NO : 2187/20	DWG NO : ARC - TR - B	

ARCHITECT :
NANDA & ASSOCIATES
ARCHITECTS
 NO.36, SARASWATHI ILLAM, JANAKIRAM COLONY MAIN RD,
 JANAKIRAM COLONY, ARUMBAKKAM, CHENNAI - 600 106.
 TELEPHONE: 044-23637420, E-mail: nandaarchitects@gmail.com